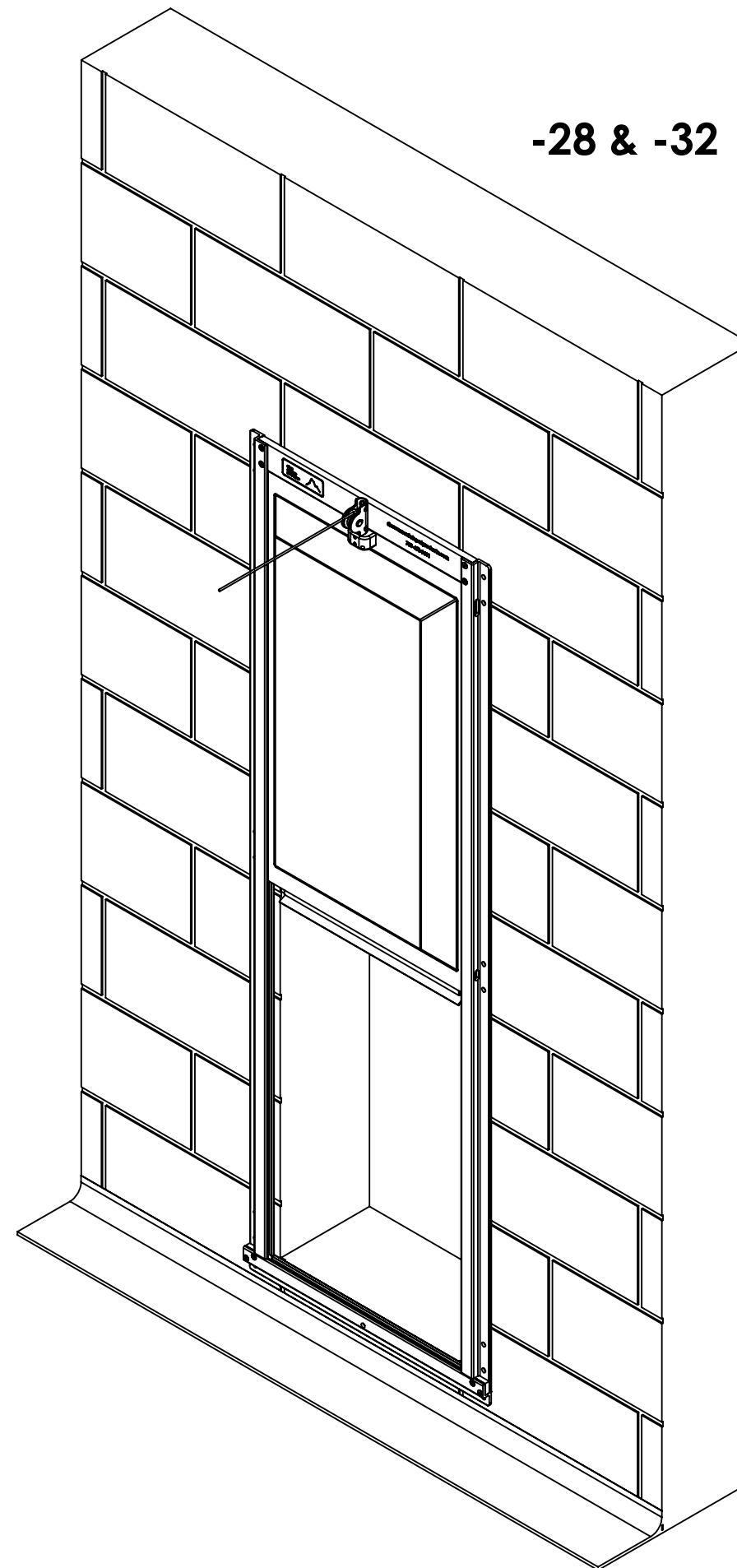
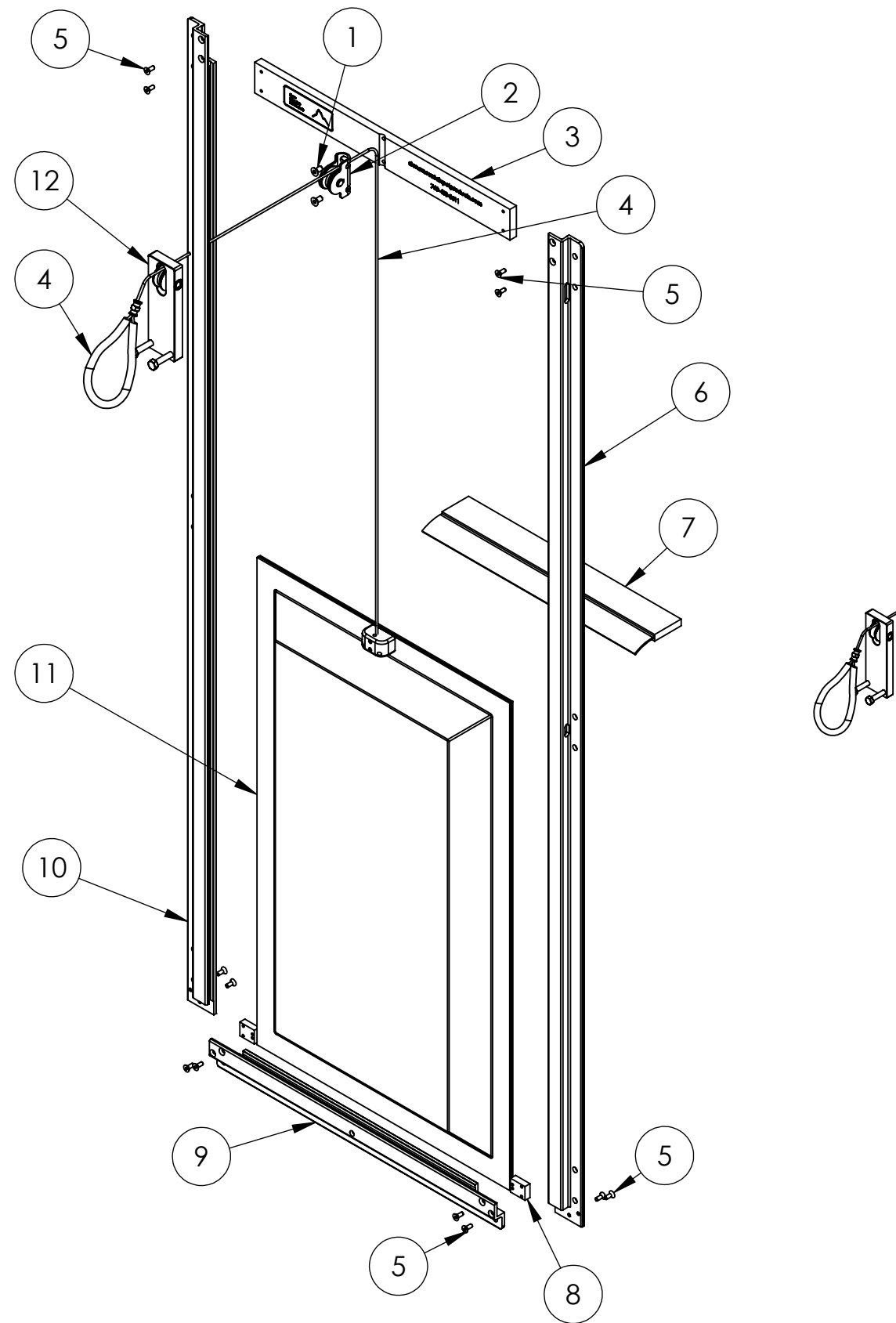


REV	DATE	DESCRIPTION	DRW	APP



## Features:

1. Tough non warping white ABS Plastic door
2. Close fitting extruded track covers 3 sides of door, weather stripping covers 4th side to reduce air infiltration
3. Preassembled frame for easy field installation (6 anchors included)  
Additional mounting holes supplied to miss cement grout joints
4. Smooth operation in extruded track
5. Calk between frame and wall for minimum air infiltration
6. Includes Wire Cable (specify length) and comfortable Clear Poly handle
7. Clear Anodize finish for easy cleaning and attractive appearance.
8. All stainless steel hardware
9. Aluminum Pulleys (not plastic) with bronze bushings for durable trouble free operation
10. Extruded polystyrene door is insulated to exceed R=7.5
11. Angled door face to prevent dogs from defacing or lifting the door
12. Angle pulley mount for straight pull on cable and convient mounting of the pull handle

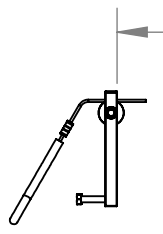
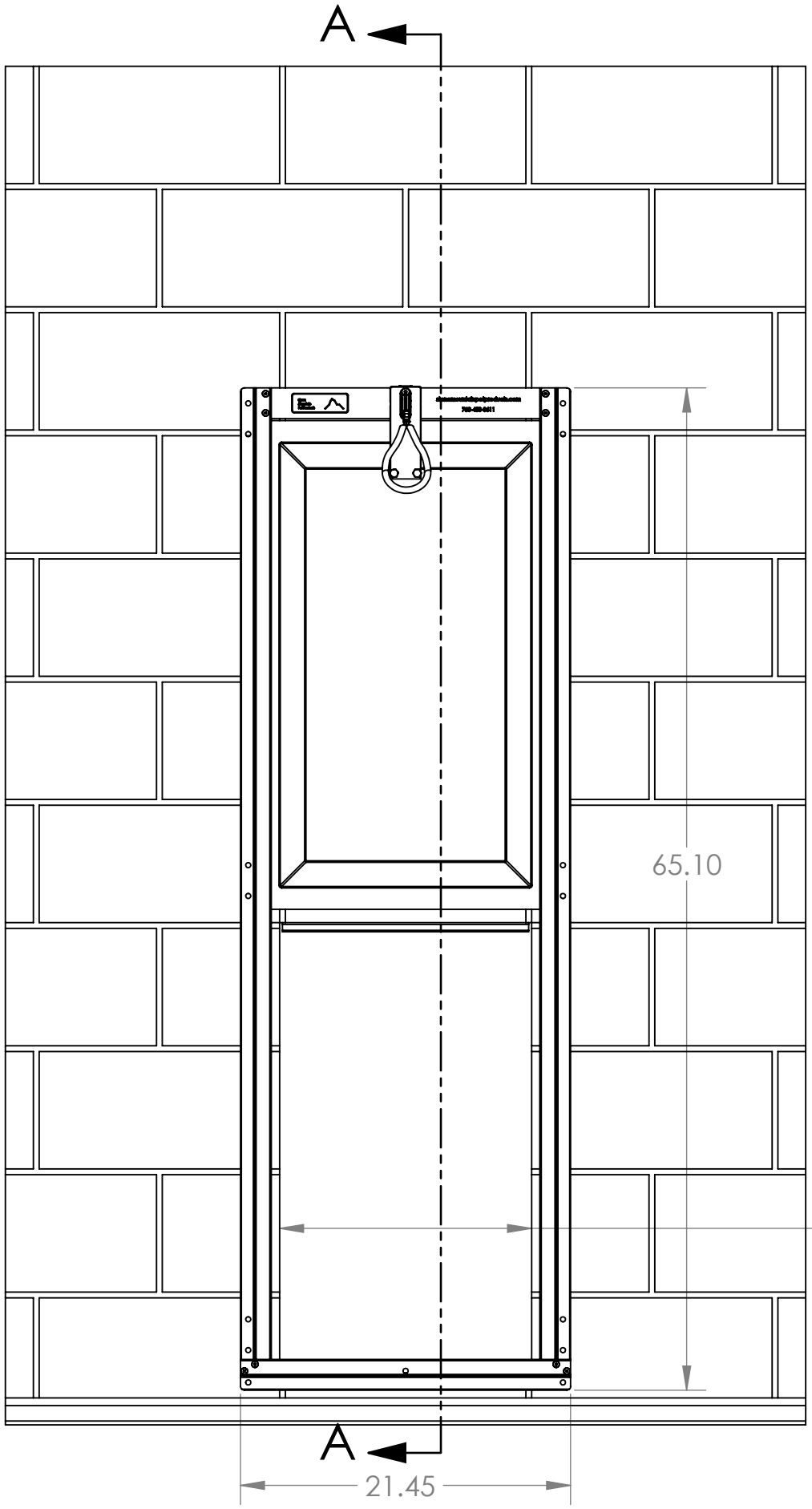


**LARSON SYSTEMS INC.**

10073 Baltimore St. NE PH. 763-780-2131  
Mpls., MN 55449 FAX. 763-780-2182

APPROVALS	DATE	Assembly Kennel Guillotine Door	
DRAWN DAL	04/09/14	REV:	
APP.		B	DWG. NO. 025-0000-0674-28 -32H
APP.		SCALE: NONE	SHEET 1 OF 4

# -28 Standard Door

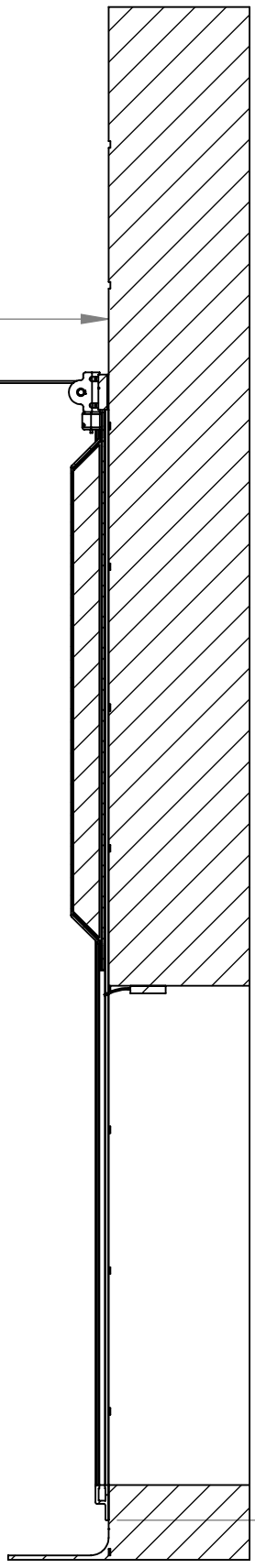


Up to 120"

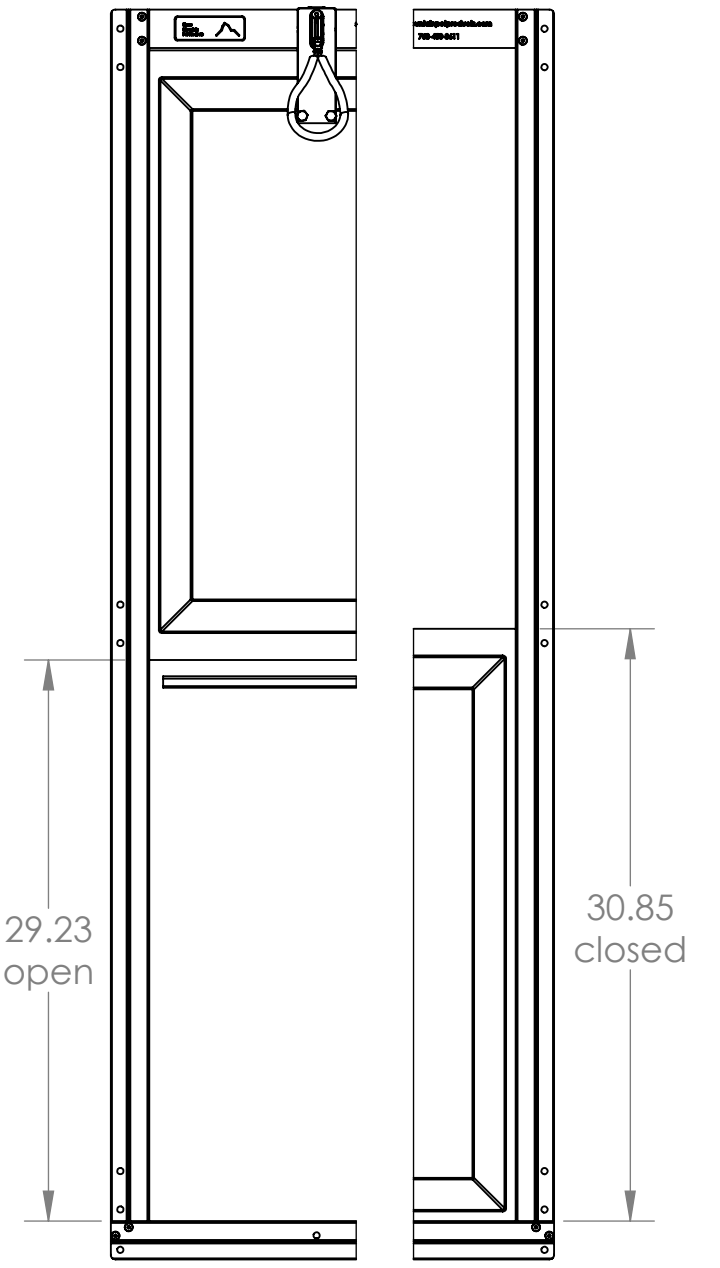
Recommended Opening  
16.38 W x 28.38

Maximum opening size  
17.45" wide x 29.38 tall

16.38  
One Concrete  
Block Width

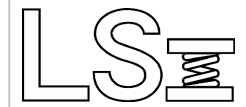


SECTION A-A  
SCALE 1 : 10



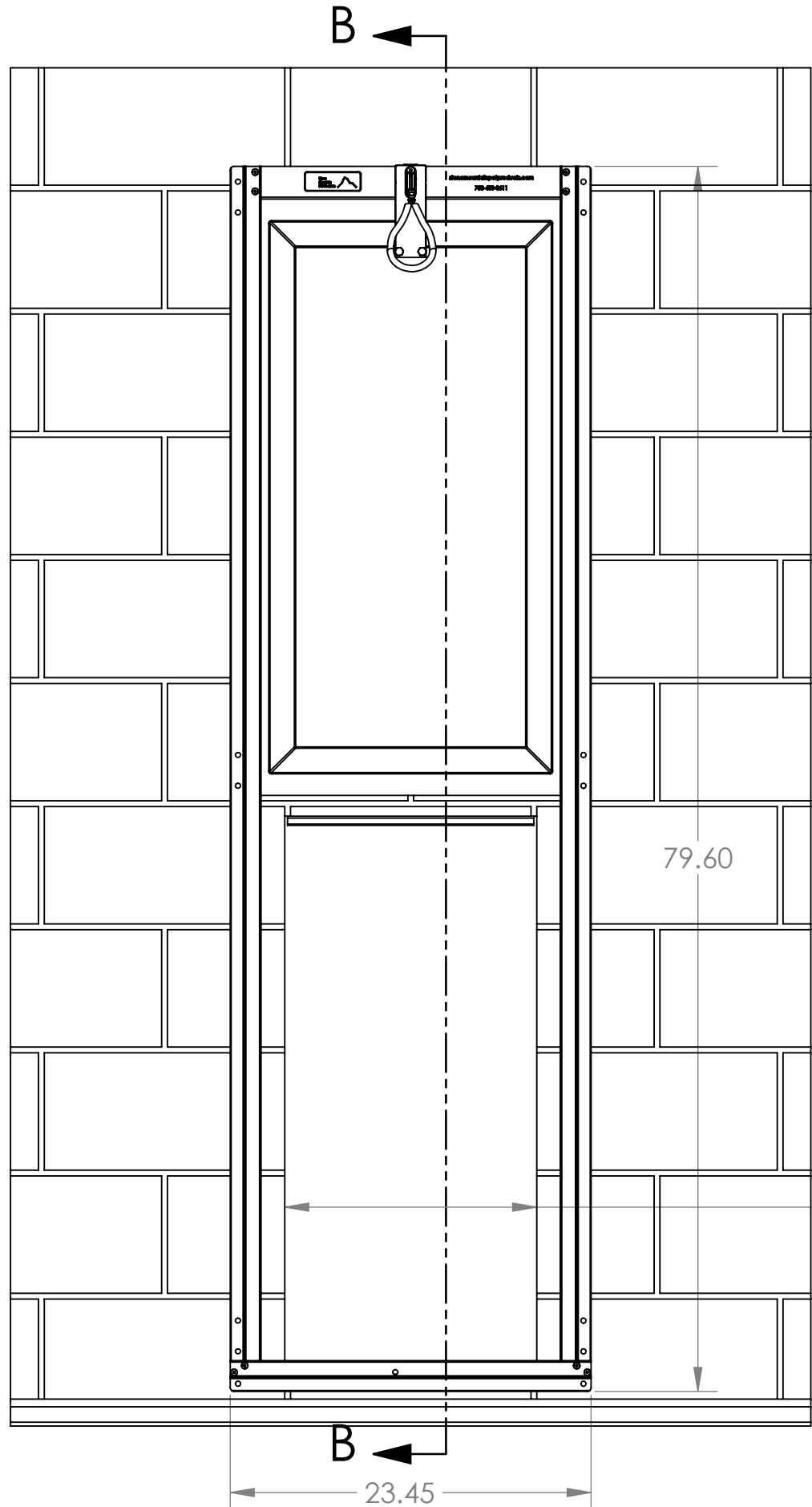
29.23  
open

30.85  
closed

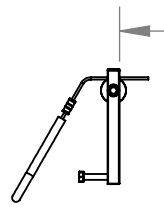


**LARSON SYSTEMS INC.**

10073 Baltimore St. NE PH. 763-780-2131  
Mpls., MN 55449 FAX. 763-780-2182



**-32 Oversize Door**

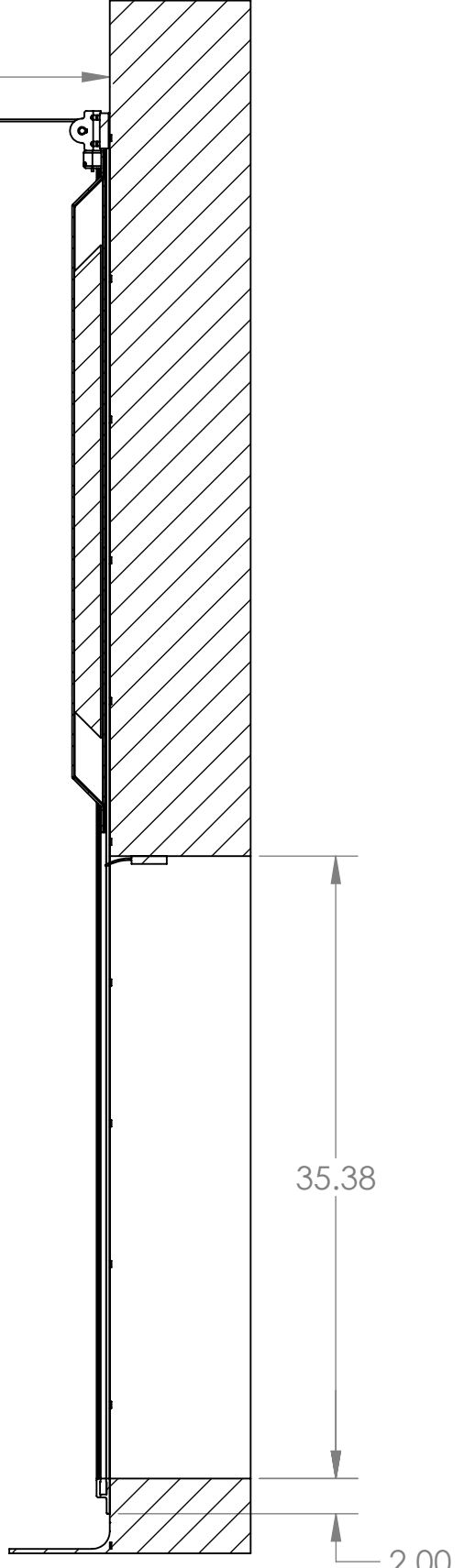


up to 120"

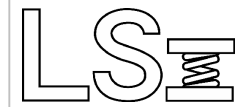
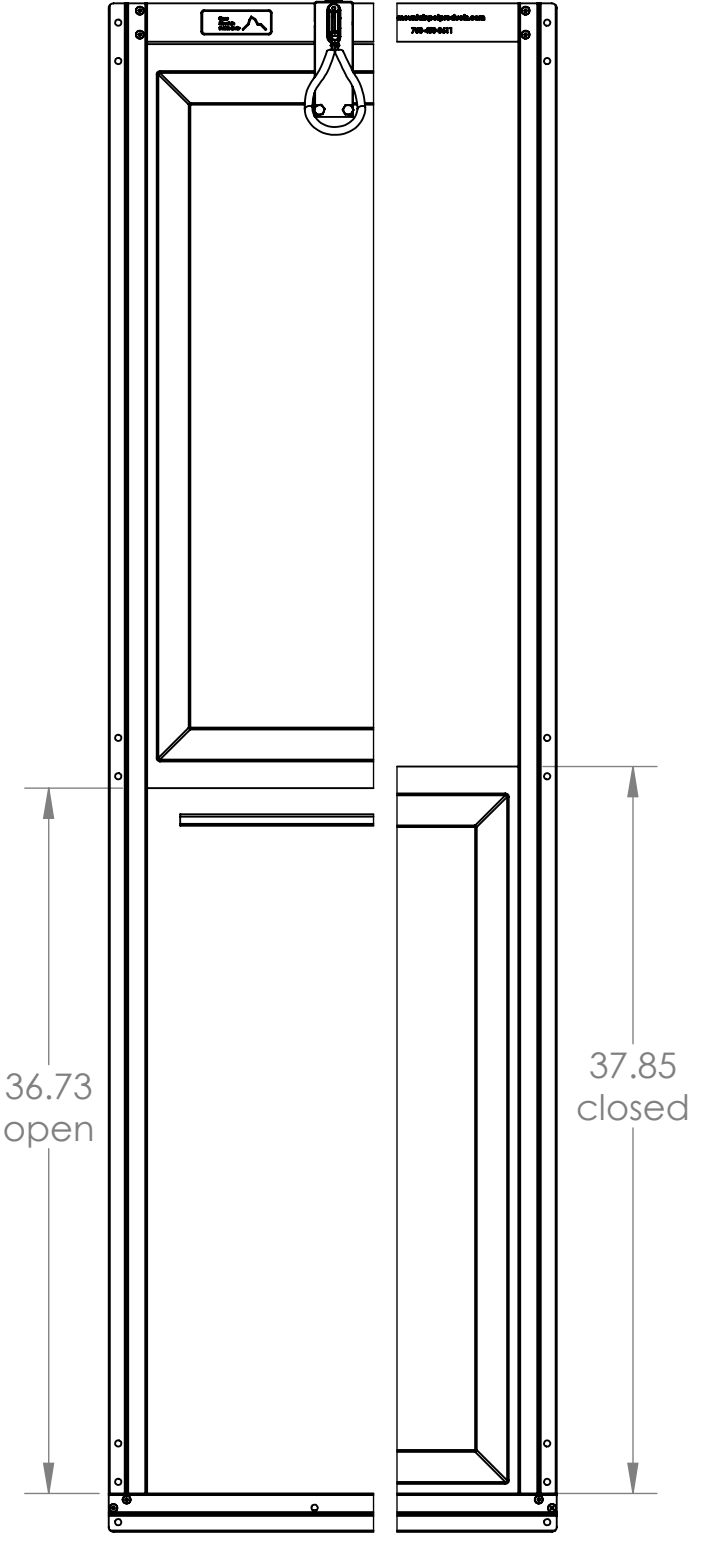
Recommended Opening  
16.38 W x 35.38

Maximum opening size  
19.45" wide x 36.38 tall

16.38  
One Concrete  
Block Width



SECTION B-B  
SCALE 1 : 10



**LARSON SYSTEMS INC.**

10073 Baltimore St. NE PH. 763-780-2131  
Mpls., MN 55449 FAX. 763-780-2182



025-0000-0674-28 H

# Parts List

Insulated Guillotine Dog Door (17.45" wide x 29.1" tall)

Rev	By	Date	Description
E	RRS	04-27-2012	Added -26, updated handle assembly callout in parts list
F	RRS	01-09-2013	Add -28, 15 became 16 and was 013-1000-0059-00, item 17 was 013-7000-0030-00
G	DAL	03-02-2013	#2 013-0000-0457-00 was 013-0000-0500-00, #5 025-0000-0866-00 was 013-2000-0329-00, #15 was 2ea 013-1000-0066-00 is 6 ea 013-1000-0094-00 #16 was 1 ea 013-1000-0067-00 is 6 ea 013-0000-0576-00 add #19 ref 013-1000
H	DAL	04-09-2014	Added -32, redraw, #13 013-1000-0098-00 was 013-1000-0094-00

Item	Qty	Part Number	Rev	Part Name	PCB Location	Part Length
1	2	013-0000-0457-00		1/4-20 x 1/2 FHSSS		in.
2	1	025-0000-0866-00		Adjustable Pulley Assembly, Guillotine Door		in.
3	1	018-0000-3216-00	F	Kennel Guillotine Door Pulley Mount, 21.45" door		in.
4	1	025-0000-0821-02		Guillotine door poly handle and wire 10' Kennel		180 in.
5	12	013-0000-0522-00		10-24 x 1/2 FHSCS (Stainless)		in.
6	1	018-0000-2789-18	R	Kennel Guillotine Door Guides - locking Right (29.35		in.
7	1	018-0000-3480-00	A	Weather Stripping Trim 17.50"		in.
8	2	018-0000-2725-07	B	Kennel Guillotine Door - Lower Spacer		in.
9	1	018-0000-3206-00	D	Kennel Door Bottom Channel 21.45"		in.
10	1	018-0000-2789-17	R	Kennel Guillotine Door Guides - locking Left (29.35		in.
11	1	025-0000-0899-00	D	Formed Insulated Kennel Guillotine Door 19 x 31.75		in.
11	ref	025-0000-0899-01	D	Locking, Formed Insulated Kennel Guillotine Door, 19 x		in.
12	1	025-0000-0674-05	C	Kennel Guillotine Door Assembly -Pulley Holder (flat)		in.
13	6	013-1000-0098-00		Silver-coated Steel Concrete and Block Screw		in.
14	1	060-1000-0097-00	D	Installation Instructions: Pre-assembled Guillotine		in.
15	ref	013-1000-0098-01		1/4 dia Concrete drill		in.

**Cable #4**

120" length is suitable for a 5' deep kennel (120" - 12" Handle - 6" handle slack - 42" vertical on door = 60")

180" length is suitable for a 10' deep kennel (180" - 12" Handle - 6" handle slack - 42" vertical on door = 120")

Approved by: 

Date: May 2, 2014

**SEE ATTACHED 3 DRAWINGS**



025-0000-0674-32 H

# Parts List

Insulated Guillotine Dog Door (19.45" wide x 36.1" tall)

Rev	By	Date	Description
E	RRS	04-27-2012	Added -26, updated handle assembly callout in parts list
F	RRS	01-09-2013	Add -28, 15 became 16 and was 013-1000-0059-00, item 17 was 013-7000-0030-00
G	DAL	03-02-2013	#2 013-0000-0457-00 was 013-0000-0500-00, #5 025-0000-0866-00 was 013-2000-0329-00, #15 was 2ea 013-1000-0066-00 is 6 ea 013-1000-0091-00 #16 was 1 ea 013-1000-0067-00 is 6 ea 013-0000-0576-00 add #19 ref 013-1000
H	DAL	04-09-2014	Added -32, redraw

Item	Qty	Part Number	Rev	Part Name	PCB Location	Part Length
1	2	013-0000-0457-00		1/4-20 x 1/2 FHSSS		in.
2	1	025-0000-0866-00		Adjustable Pulley Assembly, Guillotine Door		in.
3	1	018-0000-3216-05	F	Kennel Guillotine Door Pulley Mount, 23.45" door		in.
4	1	025-0000-0821-02		Guillotine door poly handle and wire 10' Kennel		180 in.
5	12	013-0000-0522-00		10-24 x 1/2 FHSCS (Stainless)		in.
6	1	018-0000-2789-22	R	Kennel Guillotine Door Guides - locking Right (29.60)		in.
7	1	018-0000-3480-02	A	Weather Stripping Trim 19.50"		in.
8	2	018-0000-2725-07	B	Kennel Guillotine Door - Lower Spacer		in.
9	1	018-0000-3206-08	D	Kennel Door Bottom Channel 23.45"		in.
10	1	018-0000-2789-21	R	Kennel Guillotine Door Guides - locking Left (29.60)		in.
11	1	025-0000-0899-02	D	Formed Insulated Kennel Guillotine Door 21 x 38.75		in.
11	ref	025-0000-0899-03	D	Locking, Formed Insulated Kennel Guillotine Door 21 x		in.
12	1	025-0000-0674-05	C	Kennel Guillotine Door Assembly -Pulley Holder (flat)		in.
13	6	013-1000-0098-00		Silver-coated Steel Concrete and Block Screw		in.
14	1	060-1000-0097-00	D	Installation Instructions: Pre-assembled Guillotine		in.
15	ref	013-1000-0098-01		1/4 dia Concrete drill		in.

Approved by: 

Date: May 2, 2014

**SEE ATTACHED 3 DRAWINGS**