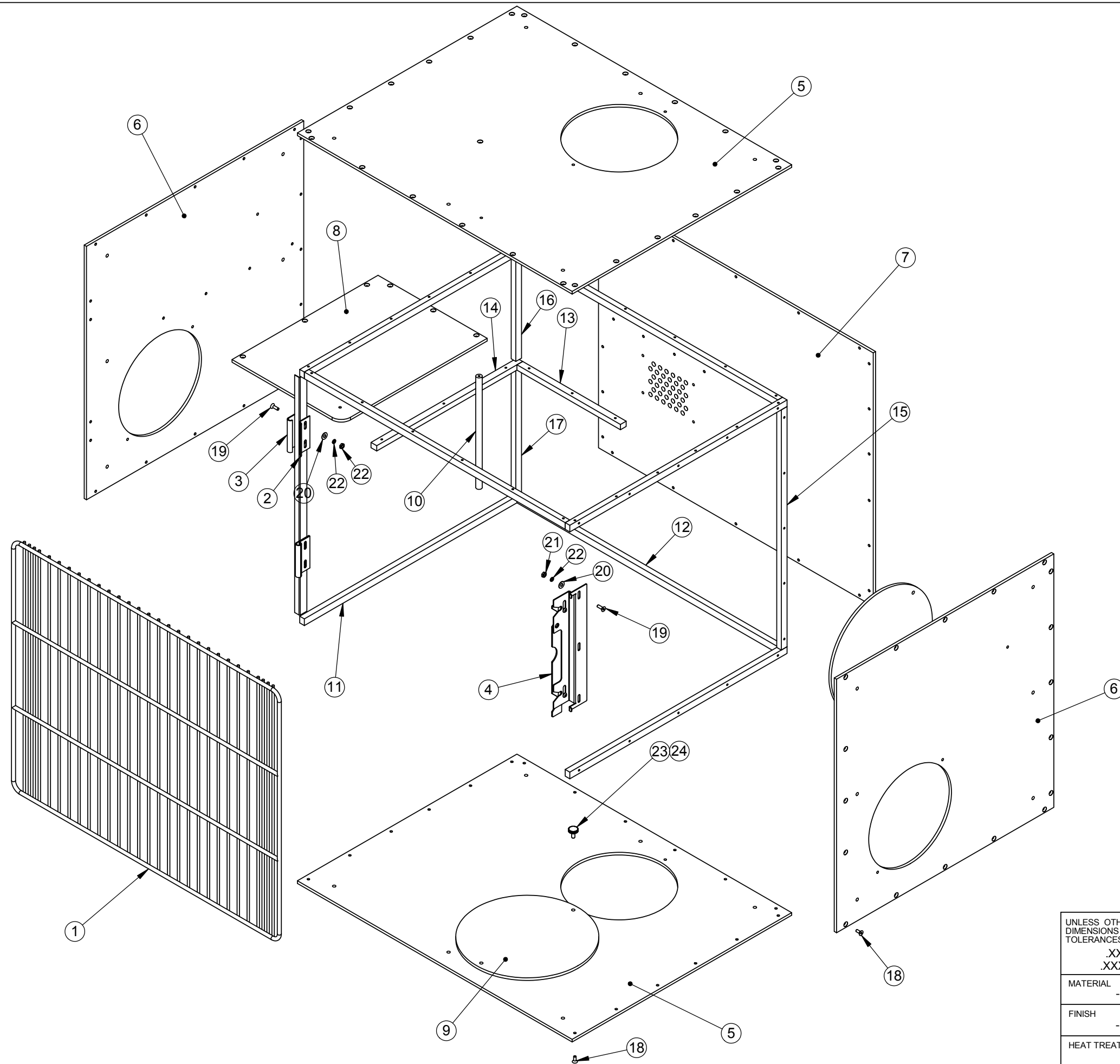


REV	DATE	DESCRIPTION	DRW	APP



UNLESS OTHERWISE SPECIFIED  
DIMENSIONS ARE IN INCHES  
TOLERANCES ARE:  
.XX ± .01  
.XXX ± .005



**LARSON SYSTEMS INC.**

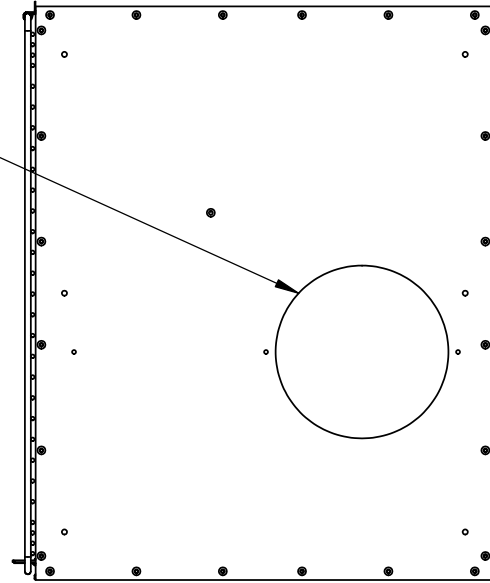
10073 Baltimore St. NE PH. 763-780-2131  
Mpls., MN 55449 FAX. 763-780-2182

MATERIAL	-
FINISH	-
HEAT TREAT	-

APPROVALS	DATE
DRAWN DAL	11-12-05
APP.	
APP.	

Cat Condo - Assembly, Plastic	
B	DWG. NO. 025-0000-0686-00
SCALE: NONE	

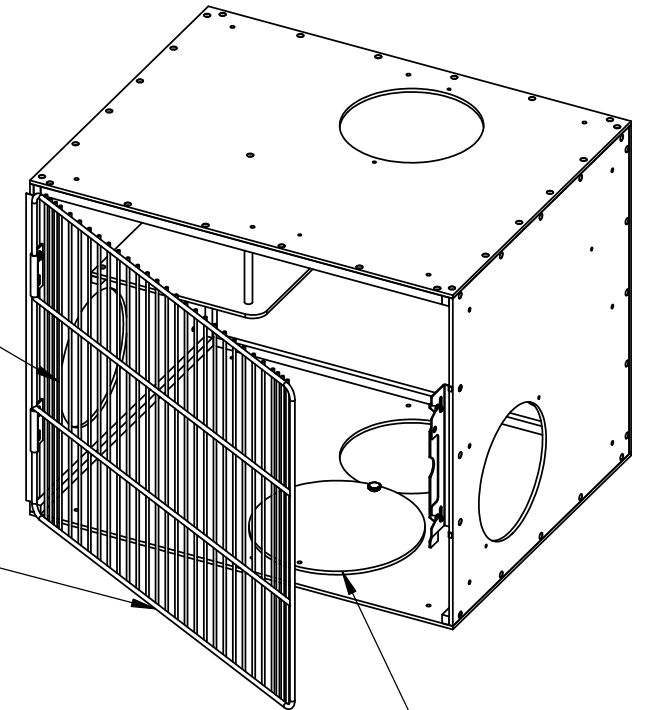
Port holes Top, Bottom, and Both Sides  
for stimulating climbing from cube to cube



Tough easy to clean 1/4 " thick ABS Plastic

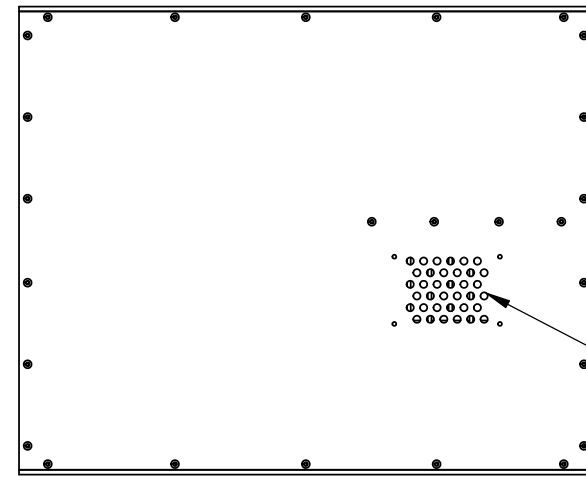
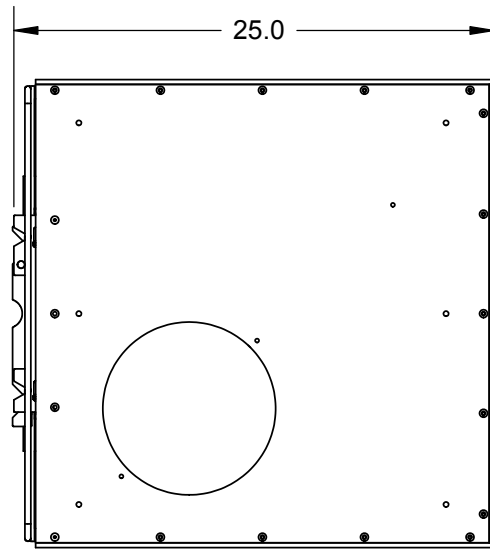
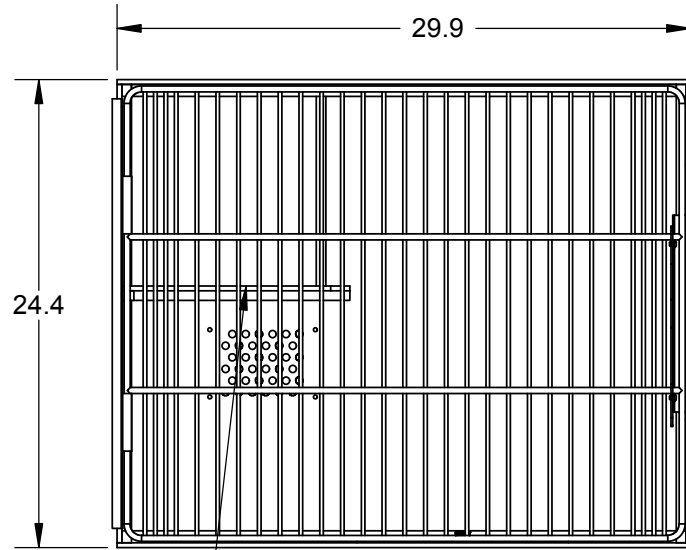
Close pitch wires near the edges keep our  
friends paws to themselves

3/16 diameter wire and a 5/16 wire steel frame  
is powdercoated for a tough finish



Open or close portholes with no tools

Attach negative pressure exhaust ventilation  
for clean smelling facilities  
Cats that don't smell each other like each other



Cat Perch for a higher look

Stack Cubes to obtain best configuration for your facilities

