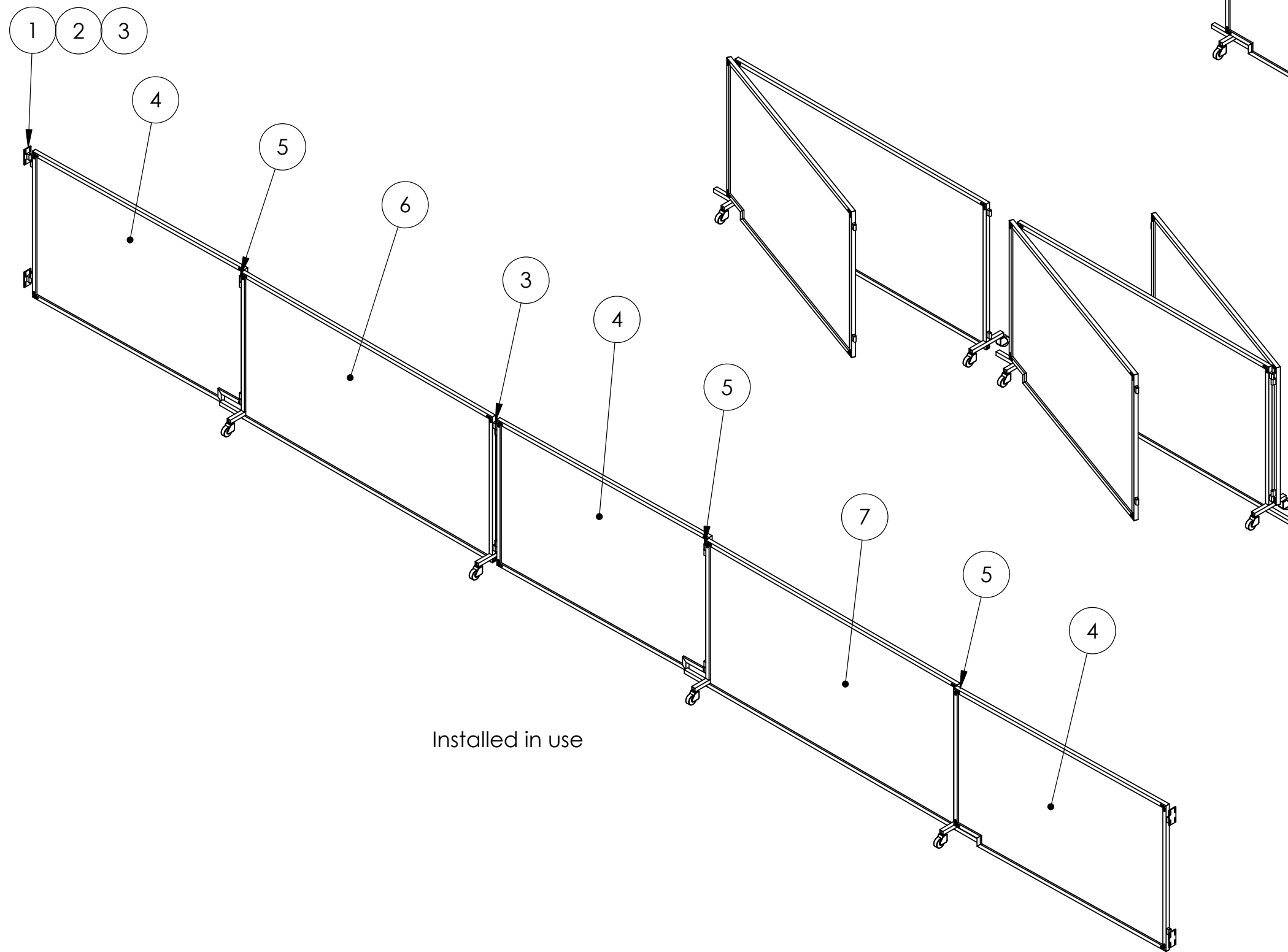
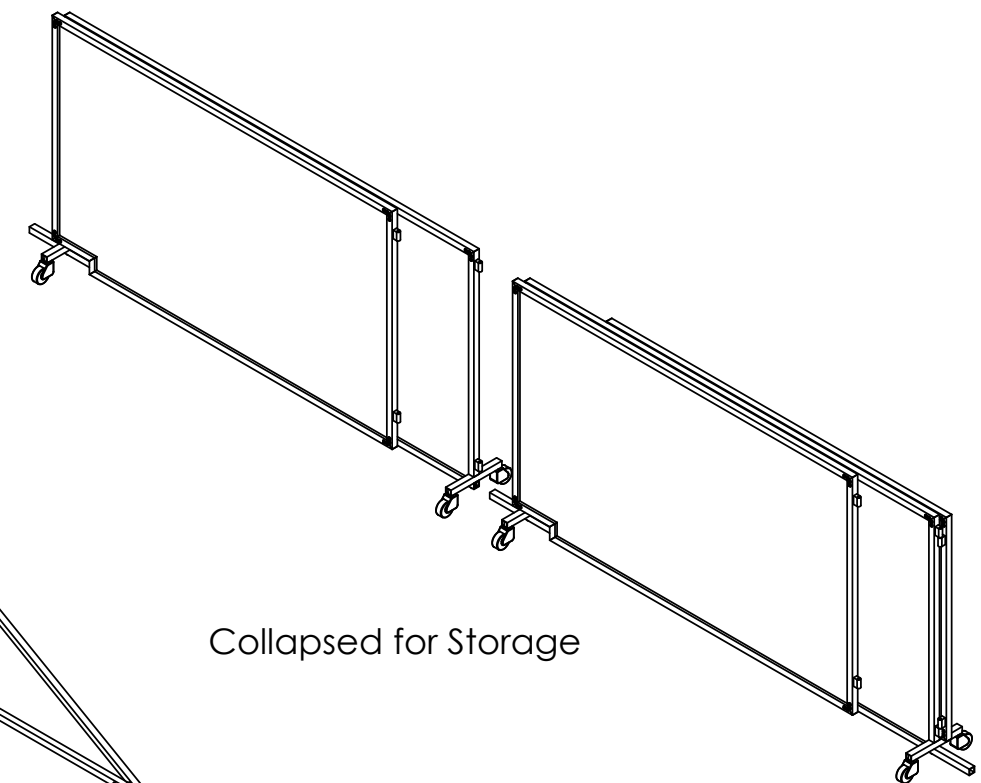


REV	DATE	DESCRIPTION	DRW	APP



Installed in use



Collapsed for Storage

		LARSON SYSTEMS INC. 10073 Baltimore St. NE PH. 763-780-2131 Mpls., MN 55449 FAX. 763-780-2182	
		APPROVALS DRAWN DAL APP. APP.	DATE 10-22-09
		B	REV:
		SHEET 1 OF 3	

