



## Boarding Suites Assembly Instructions

### Parts included for installation:

Gate Panels

Side Panels

Back Panels (if purchased)

Tops (if purchased)

Aluminum Angle Brackets (May be various sizes.)

5/16-18 x 1 7/8" Stainless Steel Hex Bolts

5/16-18 Stainless Steel Hex Lock Nuts

Single Latch Hardware

- 1 Latch
- 2 latch catches
- 8 x 10/32 x 3/4 socket cap screws)
- 2 x 5/16-18 x 1 3/4" Stainless Steel Hex Bolts
- 2 x 5/16-18 Stainless Steel Hex lock nuts

### Tools you will need:

1/2" wrenchs / ratchets

Drill

11/32 Drill Bit

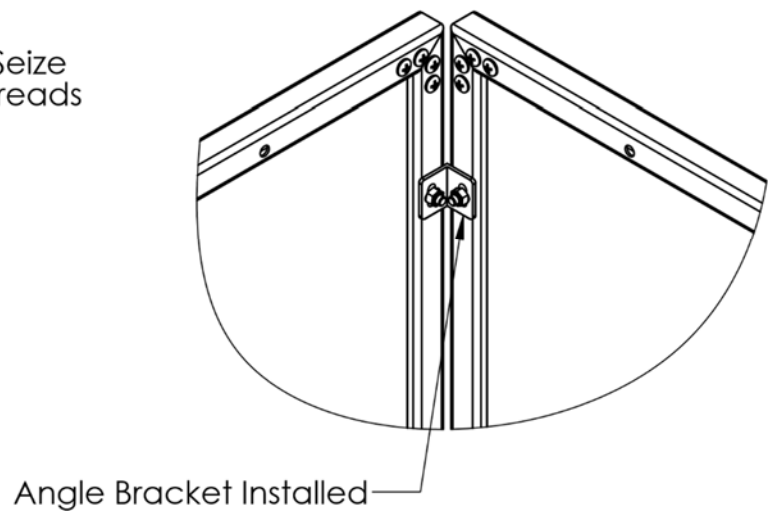
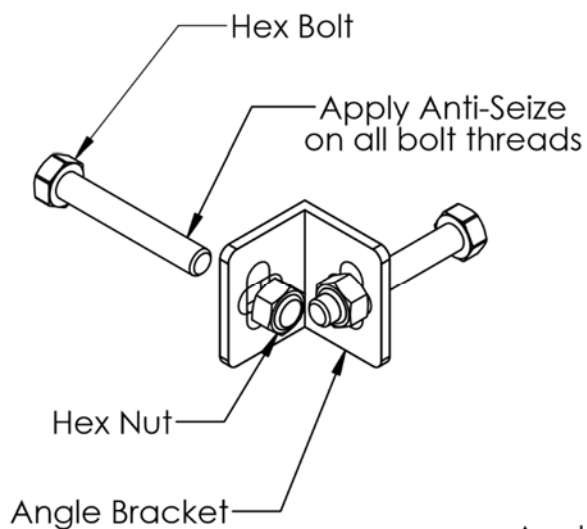
### Materials you provide:

Your choice of wall anchors (if mounting equipment to the wall or floors)

Clear silicone caulking

Anti-seize lubricant

- Applied to every bolt thread
- Strongly suggested

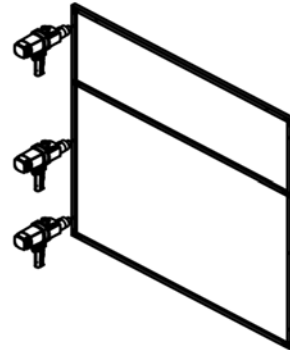




## Boarding Suites Assembly Instructions

### STEP 1:

Once you have your gate, side or back panel located to install, drill through the HDPE in the frame holes.



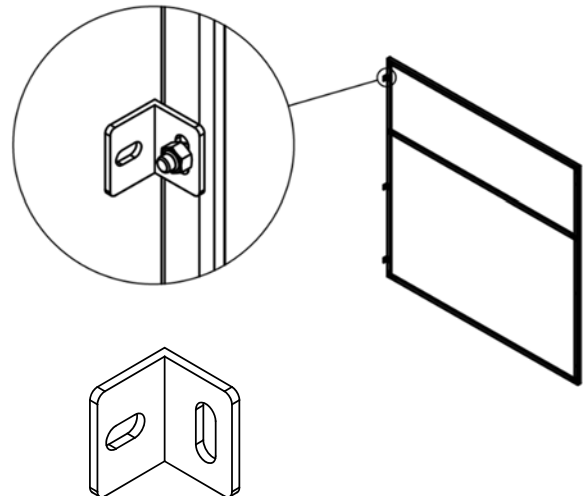
### STEP 2:

Apply a small amount of anti-seize onto the threads of a 1 7/8" hex bolt.

### STEP 3:

Attach each angle onto the panel using the 1 7/8" hex bolts and lock nuts. Finger tighten at this time.

Notice the vertical slot of the angle bracket mates with the side panel. The horizontal slot of the angle bracket mates with the gates and back panels.



### STEP 4:

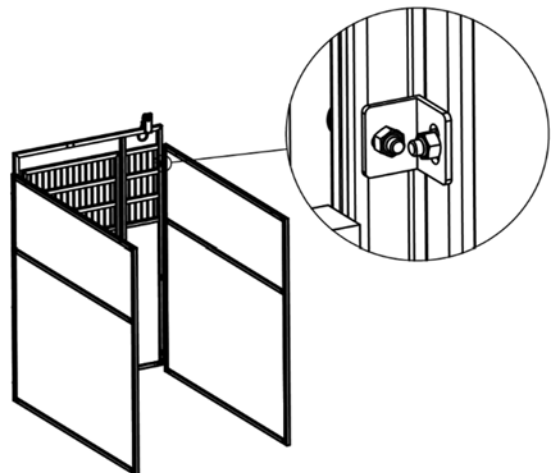
Install gates onto side panels using the same hardware and method. Finger tighten hex nuts.

### STEP 5:

Connect all side panels and gates before anchoring to the wall. Finger tighten hex nuts. This will allow for adjustment as needed.

### STEP 6:

After suites are installed in desired locations, check gates for plumb and level. Use brackets to adjust. Securely tighten all hardware.





## Boarding Suites Assembly Instructions

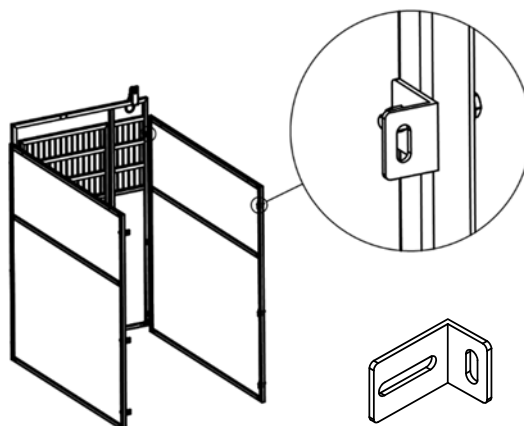
### STEP 7:

Install angle brackets in the rear of the suite as in STEPS 1 through 3. If you are mounting to a wall use the angle bracket as a template to locate your choice of anchors.

When mounting to a wall, notice the vertical slot of the angle bracket mates with the wall and the horizontal slot of the angle bracket mates with the panel.

### STEP 8:

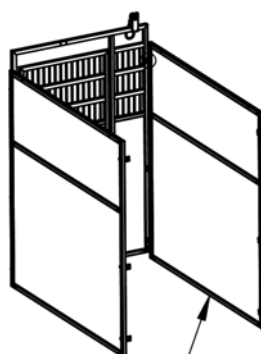
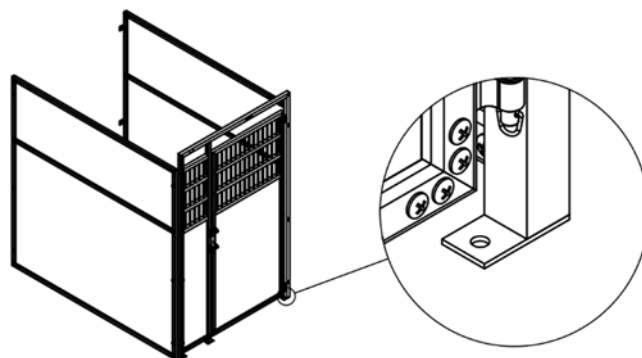
If you are installing a back panel, install angle brackets and panels as previously explained in STEPS 1 through 5.



### STEP 9:

If you purchased non-threshold gates:

- Use the gate feet as a template
- Install your choice of anchors to affix the gate to your floor.



### STEP 10:

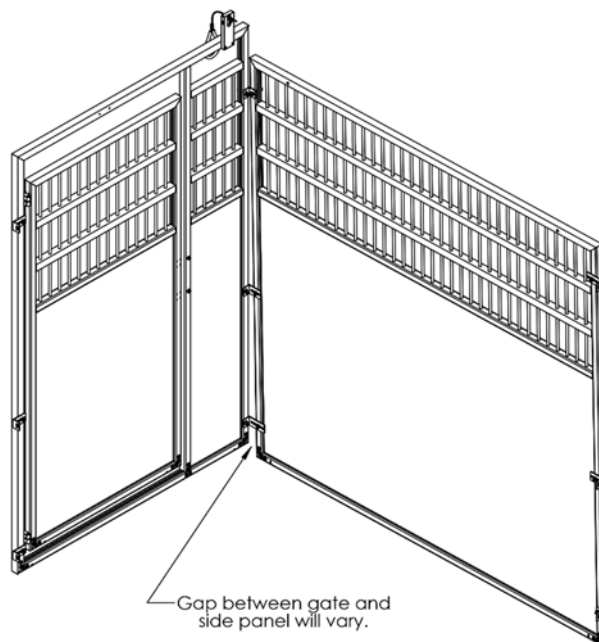
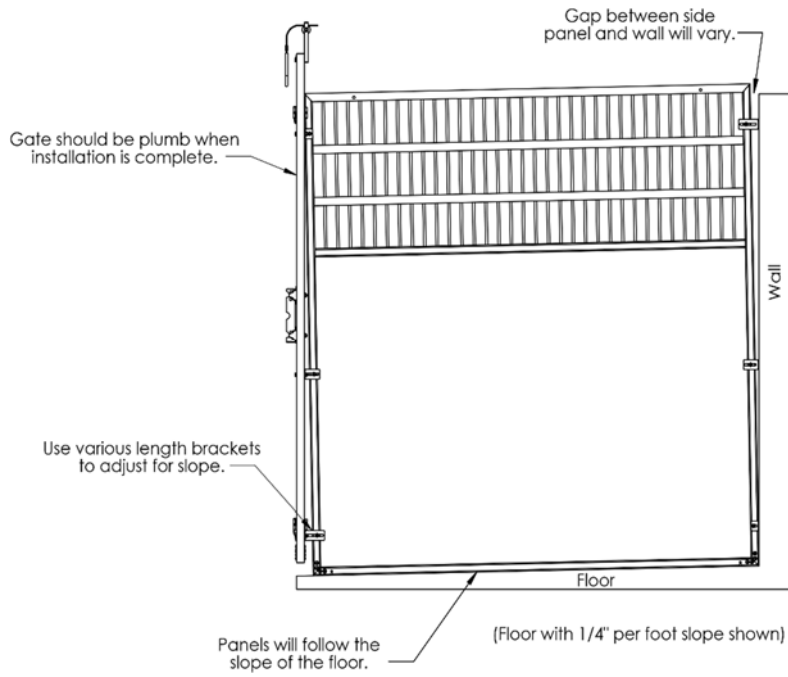
Apply a bead of caulking along the bottom of the panels to reduce cross contamination.



# Boarding Suites Assembly Instructions

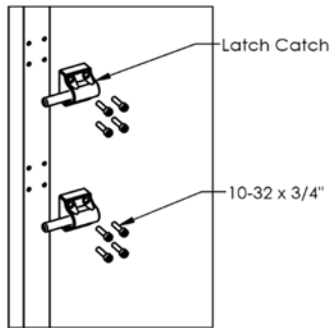
## Sloped Floors Installation

If your facility has sloped floors inside the suites, follow the same steps as previously described. To accommodate a sloped floor, various length angle brackets will be provided.

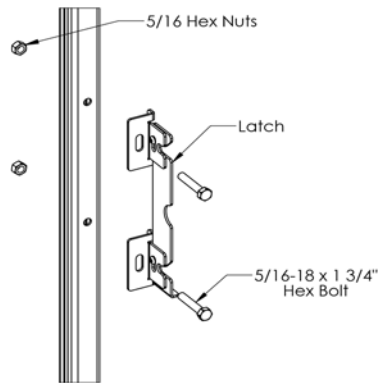


## Latch Assembly

STEP 1

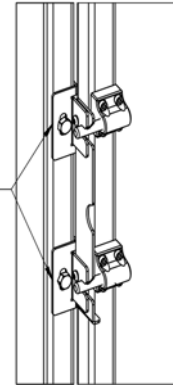


STEP 2

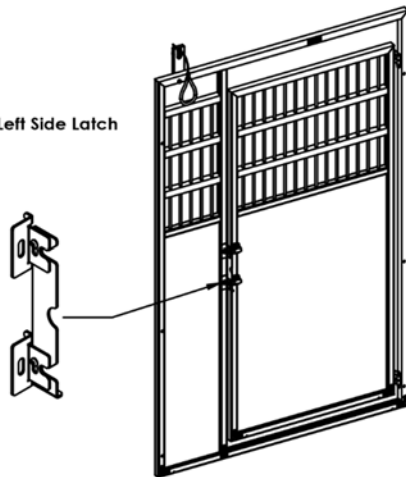


STEP 3

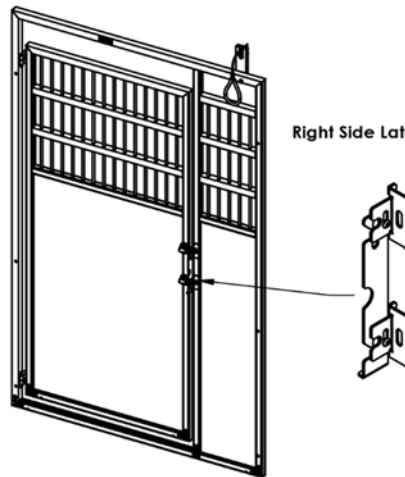
Adjust latch up or down so door pins strike in the center of the slot and create a smooth latching motion.



Left Side Latch



Right Side Latch



Latch Assembly can be ordered as either left or right