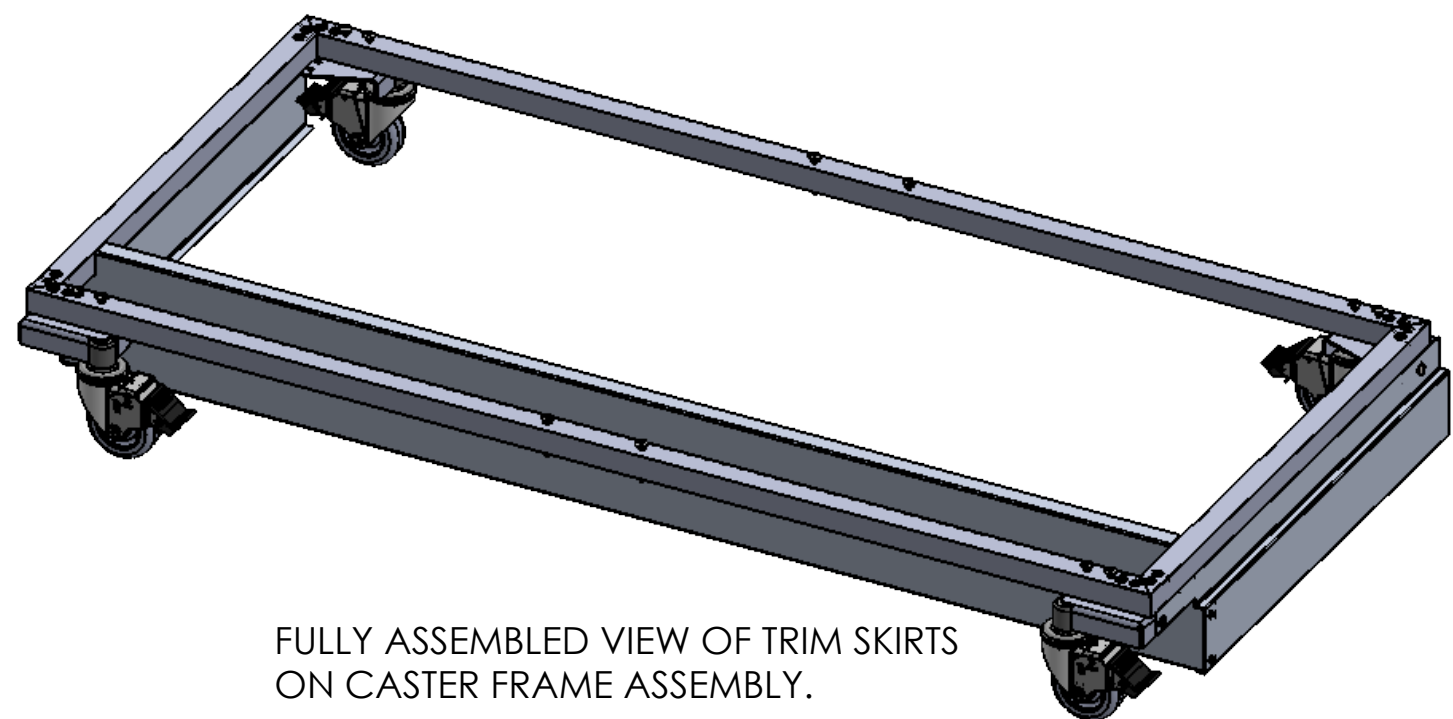


ASSEMBLY VIEW SHOWING ATTACHMENT OF TRIM SKIRTS TO CASTER FRAME ASSEMBLY.



FULLY ASSEMBLED VIEW OF TRIM SKIRTS ON CASTER FRAME ASSEMBLY.



LARSON SYSTEMS INC.

13847 Aberdeen St. NE PH. 763-780-2131
Ham Lake, MN 55304 FAX. 763-780-2182

APPROVALS	DATE
DRAWN LA	6-3-2022
Checked DAL	6-3-2022
Weight	

<i>Lower Trim Kit, Cat Condos</i>	
B	DWG. NO. 025-0000-1566-XX
REV:	

SCALE: NONE



025-0000-1566-00

Lower Trim Kit, Cat Condos

Parts List

Rev	By	Date	Description
	LA	04-23-2022	

Item	Qty	Part Number	Rev	Part Name	PCB Location	Part Length
1	4	013-0000-0501-00		1/4-20 x 1/2 Machine Screw Stainless Steel, Truss		in.
2	4	013-0000-0656-00		10-24 x .50" PHMS Philips Head SS		in.
3	1	018-0000-4833-02		LH Side Trim Skirt, Cat Condo		in.
4	4	013-1000-0071-00		Pem Nut Self-Clinching 10-24 Nut		in.
5	1	018-0000-4833-00		Barrier Strip, Cat Condos		in.
6	1	018-0000-4833-01		RH Side Trim Skirt, Cat Condo		in.

Approved by: 

Date: June 15, 2022

SEE ATTACHED DRAWING