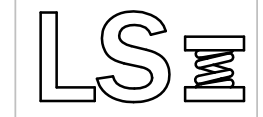


**Features:**

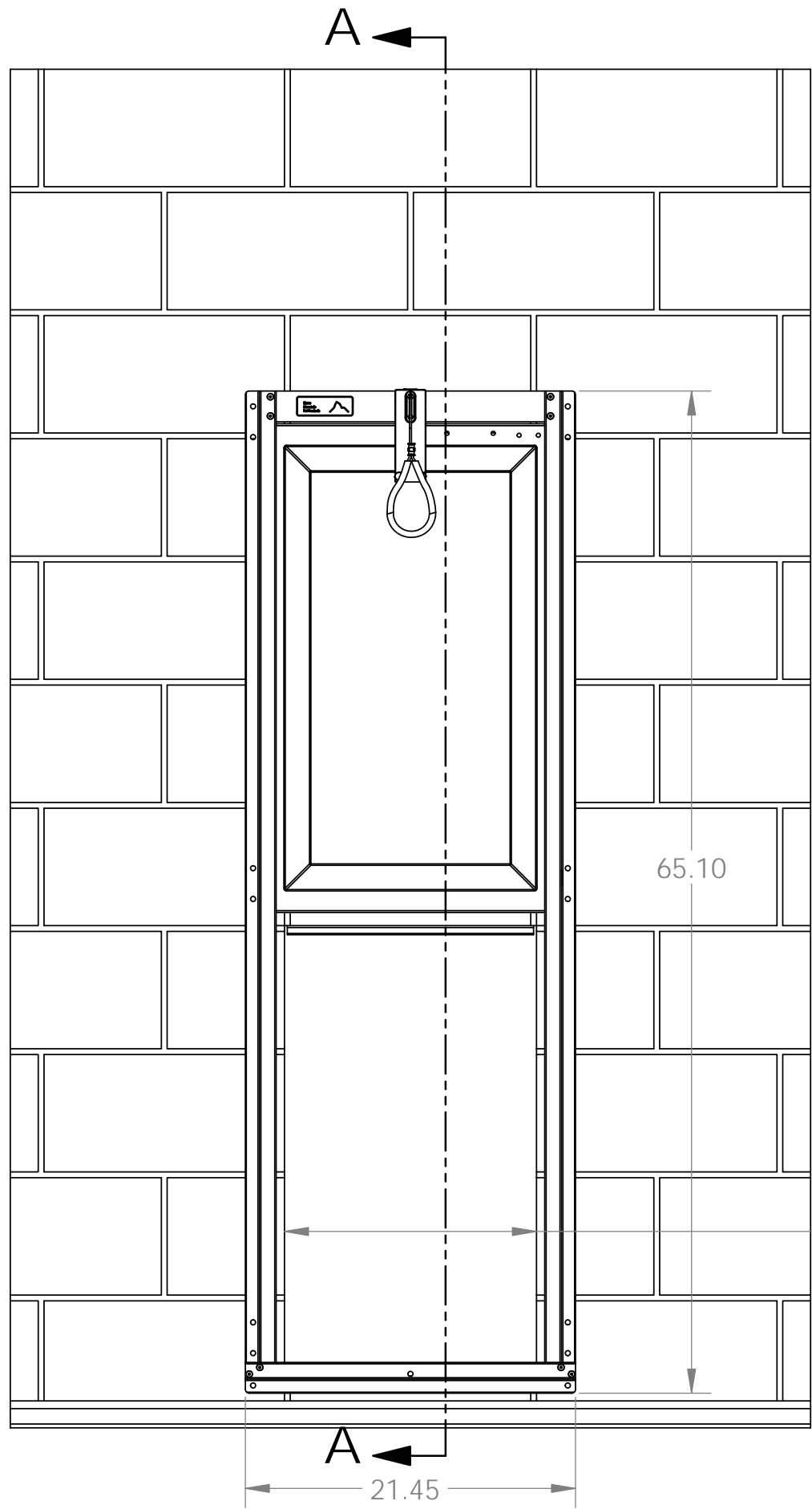
1. Tough non warping white ABS Plastic door
2. Close fitting extruded track covers 3 sides of door, weather stripping covers 4th side to reduce air infiltration
3. Preassembled frame for easy field installation (6 anchors included) Additional mounting holes supplied to miss cement grout joints
4. Smooth operation in extruded track
5. Calk between frame and wall for minimum air infiltration
6. Includes Wire Cable (specify length) and comfortable Clear Poly handle
7. Clear Anodize finish for easy cleaning and attractive appearance.
8. All stainless steel hardware
9. Aluminum Pulleys (not plastic) with bronze bushings for durable trouble free operation
10. Extruded polystyrene door is insulated to exceed R=7.5
11. Angled door face to prevent dogs from defacing or lifting the door
12. Angle pulley mount for straight pull on cable and convient mounting of the pull handle



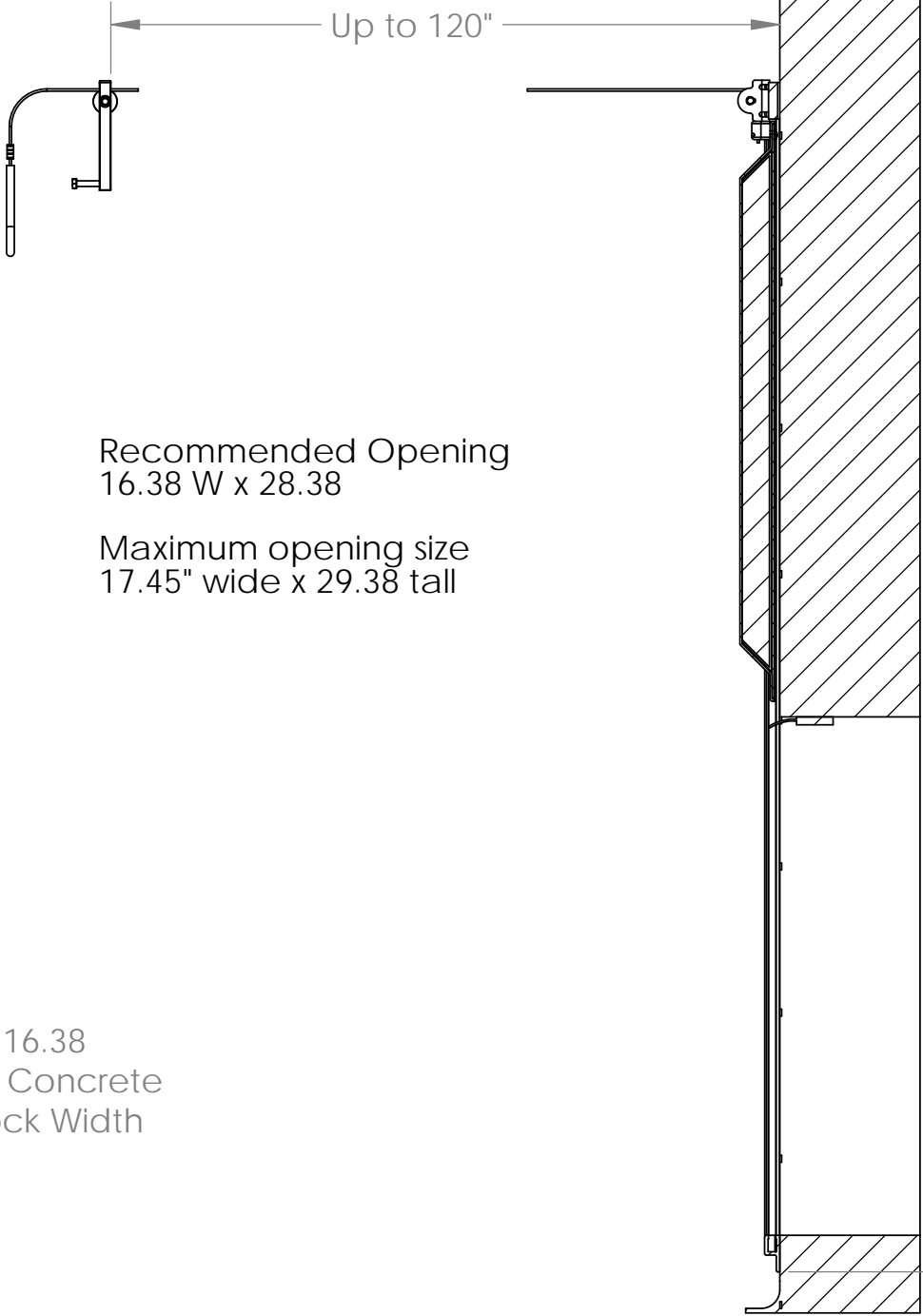
**LARSON SYSTEMS INC.**

13847 Aberdeen St. NE PH. 763-780-2131  
Ham Lake, MN 55304 FAX. 763-780-2182

APPROVALS	DATE	<i>Assembly Kennel Guillotine Door</i>	
DRAWN DAL	04/09/14		
APP.		B DWG. NO. 025-0000-0674-28 -32J	REV:
APP.		SCALE: NONE	SHEET 1 OF 4



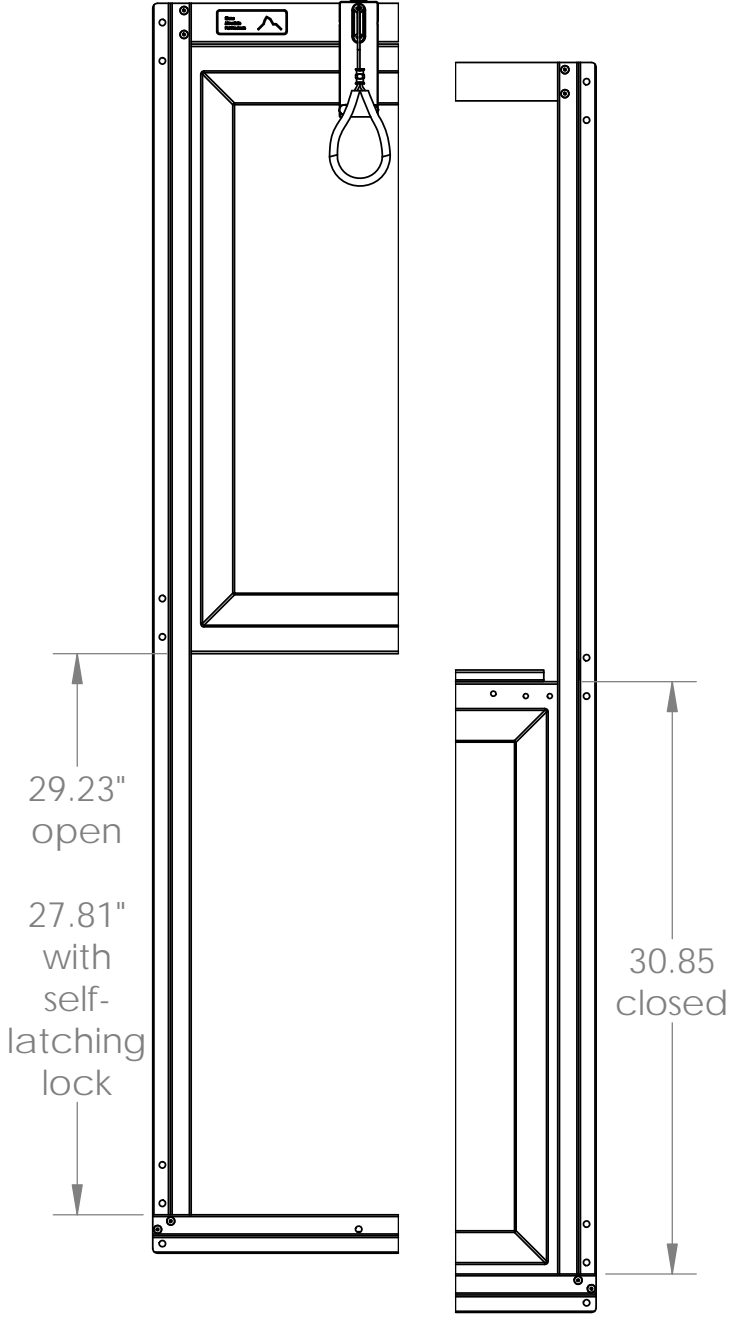
**-28 Standard Door**



Recommended Opening  
16.38 W x 28.38

Maximum opening size  
17.45" wide x 29.38 tall

16.38  
One Concrete  
Block Width

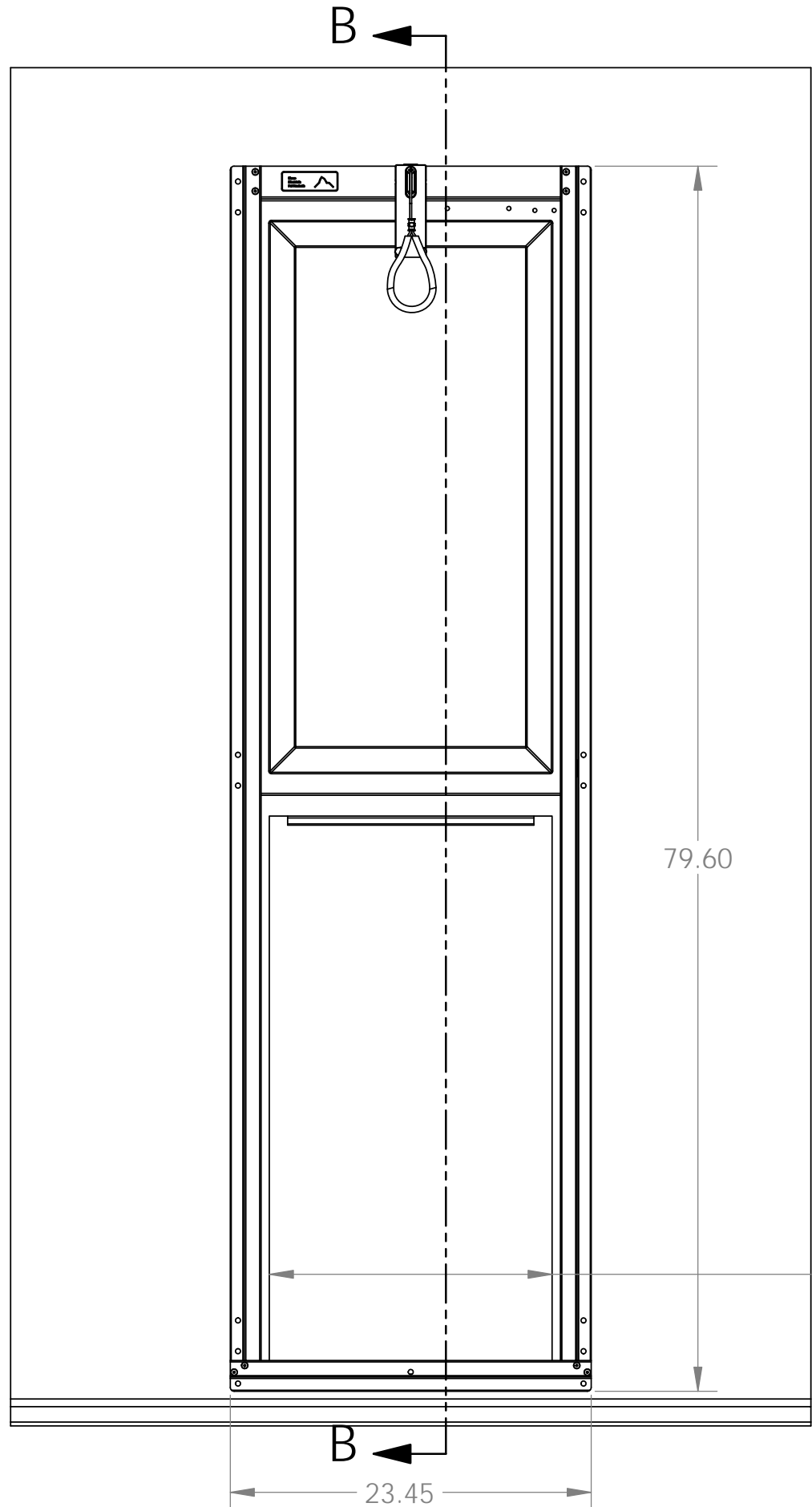


SECTION A-A  
SCALE 1 : 10

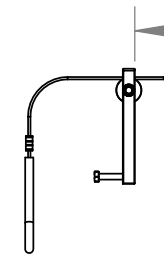


**LARSON SYSTEMS INC.**

13847 Aberdeen St. NE PH. 763-780-2131  
Ham Lake, MN 55304 FAX. 763-780-2182



**-32 Oversize Door**

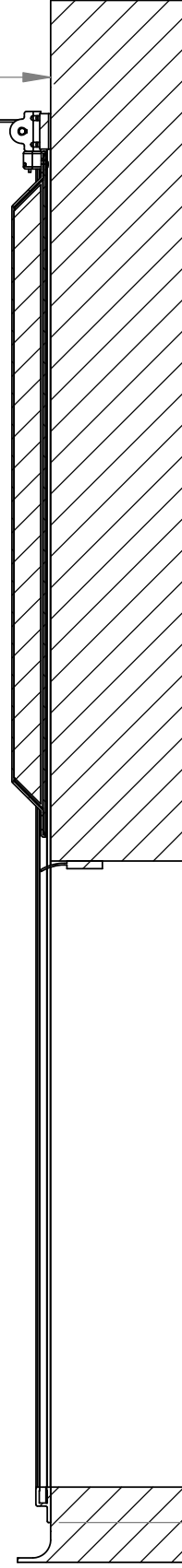


up to 120"

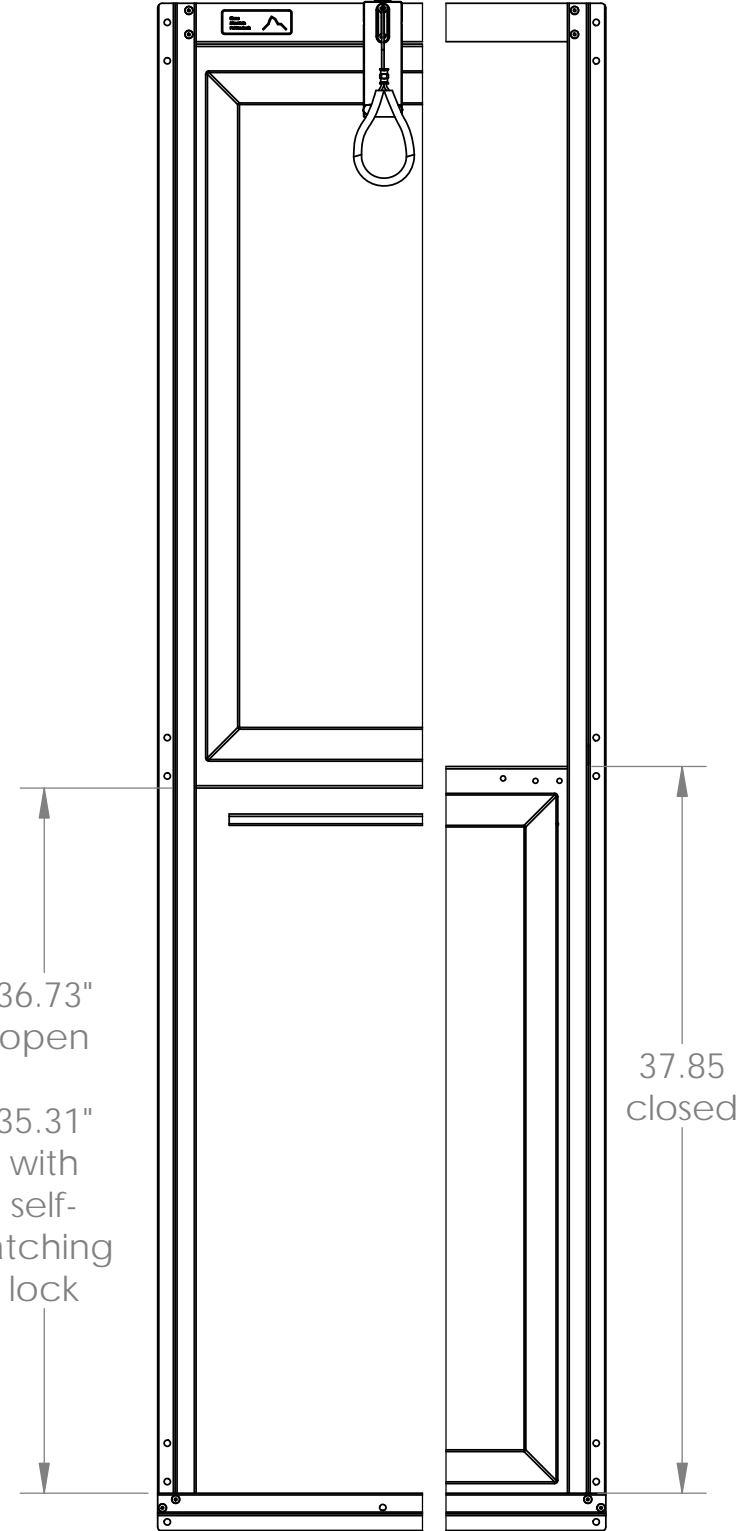
Recommended Opening  
16.38 W x 35.38

Maximum opening size  
19.45" wide x 36.38 tall

18.38  
One Concrete  
Block Width



SECTION B-B  
SCALE 1 : 10



**LARSON SYSTEMS INC.**

13847 Aberdeen St. NE PH. 763-780-2131  
Ham Lake, MN 55304 FAX. 763-780-2182



025-0000-0674-28 J

# Parts List

Insulated Guillotine Dog Door (17.45" wide x 29.1" tall)

Rev	By	Date	Description
F	RRS	01-09-2013	Add -28, 15 became 16 and was 013-1000-0059-00, item 17 was 013-7000-0030-00
G	DAL	03-02-2013	#2 013-0000-0457-00 was 013-0000-0500-00, #5 025-0000-0866-00 was 013-2000-0329-00, #15 was 2ea 013-1000-0066-00 is 6 ea 013-1000-0094-00, #16 was 1 ea 013-1000-0067-00 is 6 ea 013-0000-0576-00, add #19 ref 013-1000-0094-00
H	DAL	04-09-2014	Added -32, redraw, #13 013-1000-0098-00 was 013-1000-0094-00
J	RRS	06-01-2017	Add 12 & 13, #11 is 018-0000-4085-XX was 025-0000-0899-XX, In config -28:#10 is 018-2789-02 was -17,

Item	Qty	Part Number	Rev	Part Name	PCB Location	Part Length
1	2	013-0000-0540-00		1/4-20 x 1/2 FH Machine screw SS Philips drive		in.
2	1	025-0000-0866-00	A	Adjustable Pulley Assembly, Guillotine Door		in.
3	1	018-0000-3216-00	J	Kennel Guillotine Door Pulley Mount, 21.45" door		in.
4	1	025-0000-0821-02	A	Guillotine door poly handle and wire 10' Kennel		180 in.
5	12	013-0000-0522-00		10-24 x 1/2 FHSSS		in.
6	1	018-0000-2789-18	W	Kennel Guillotine Door Guides - locking Right (29.35		in.
7	1	018-0000-3480-00	A	Weather Stripping Trim 17.50"		in.
8	2	018-0000-2725-07	C	Kennel Guillotine Door - Lower Spacer		in.
9	1	018-0000-3206-00	F	Kennel Door Bottom Channel 21.45"		in.
10	1	018-0000-2789-02	W	Kennel Guillotine Door Guides - Left (29.60 opening)		in.
11	1	018-0000-4085-01	B	Insulated Guillotine Door - 31.75 x 19.00 for latch		in.
12	2	013-0000-0523-00		1/4-20 X 1/4 SSS SS (Cone Point)		in.
13	1	018-0000-2725-28	C	Kennel Guillotine Door - Cable Catch		in.
14	2	013-0000-0501-00		1/4-20 x 1/2 Machine Screw Stainless Steel, Truss		in.
15	1	025-0000-0674-05	E	Kennel Guillotine Door Assembly -Pulley Holder (flat)		in.
16	6	013-1000-0098-00		Silver-coated Steel Concrete and Block Screw		in.
17	1	060-1000-0097-00	G	Installation Instructions: Dog Doors		in.
18	ref	013-1000-0098-01		1/4 dia Concrete drill		in.

**Cable #4**

120" length is suitable for a 5' deep kennel (120" - 12" Handle - 6" handle slack - 42" vertical on door = 60")

180" length is suitable for a 10' deep kennel (180" - 12" Handle - 6" handle slack - 42" vertical on door = 120")

Approved by: 

Date: July 19, 2018

**SEE ATTACHED 3 DRAWINGS**



025-0000-0674-32 J

# Parts List

Insulated Guillotine Dog Door (19.45" wide x 36.1" tall)

Rev	By	Date	Description
F	RRS	01-09-2013	Add -28, 15 became 16 and was 013-1000-0059-00, item 17 was 013-7000-0030-00
G	DAL	03-02-2013	#2 013-0000-0457-00 was 013-0000-0500-00, #5 025-0000-0866-00 was 013-2000-0329-00, #15 was 2ea 013-1000-0066-00 is 6 ea 013-1000-0094-00, #16 was 1 ea 013-1000-0067-00 is 6 ea 013-0000-0576-00, add #19 ref 013-1000
H	DAL	04-09-2014	Added -32, redraw, #13 013-1000-0098-00 was 013-1000-0094-00
J	RRS	06-01-2017	Add 12 & 13, #11 is 018-0000-4085-XX was 025-0000-0899-XX, In config -28:#10 is 018-2789-02 was -17,

Item	Qty	Part Number	Rev	Part Name	PCB Location	Part Length
1	2	013-0000-0540-00		1/4-20 x 1/2 FH Machine screw SS Philips drive		in.
2	1	025-0000-0866-00	A	Adjustable Pulley Assembly, Guillotine Door		in.
3	1	018-0000-3216-05	J	Kennel Guillotine Door Pulley Mount, 23.45" door		in.
4	1	025-0000-0821-02	A	Guillotine door poly handle and wire 10' Kennel		180 in.
5	12	013-0000-0522-00		10-24 x 1/2 FHSSS		in.
6	1	018-0000-2789-22	W	Kennel Guillotine Door Guides - locking Right (29.60		in.
7	1	018-0000-3480-02	A	Weather Stripping Trim 19.50"		in.
8	2	018-0000-2725-07	C	Kennel Guillotine Door - Lower Spacer		in.
9	1	018-0000-3206-08	F	Kennel Door Bottom Channel 23.45"		in.
10	1	018-0000-2789-21	W	Guillotine Door Guides - Left (29.60 opening)		in.
11	1	018-0000-4085-03	B	Insulated Guillotine Door - 38.75 x 21.00 for latch		in.
12	2	013-0000-0523-00		1/4-20 X 1/4 SSS SS (Cone Point)		in.
13	1	018-0000-2725-28	C	Kennel Guillotine Door - Cable Catch		in.
14	2	013-0000-0501-00		1/4-20 x 1/2 Machine Screw Stainless Steel, Truss		in.
15	1	025-0000-0674-05	E	Kennel Guillotine Door Assembly -Pulley Holder (flat)		in.
16	6	013-1000-0098-00		Silver-coated Steel Concrete and Block Screw		in.
17	1	060-1000-0097-00	G	Installation Instructions: Dog Doors		in.
18	ref	013-1000-0098-01		1/4 dia Concrete drill		in.

**Cable #4**

120" length is suitable for a 5' deep kennel (120" - 12" Handle - 6" handle slack - 42" vertical on door = 60")

180" length is suitable for a 10' deep kennel (180" - 12" Handle - 6" handle slack - 42" vertical on door = 120")

Approved by: *Rohi Sch*

Date: July 19, 2018

**SEE ATTACHED 3 DRAWINGS**