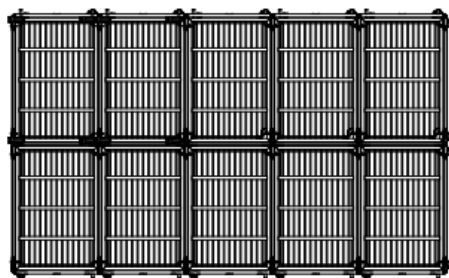
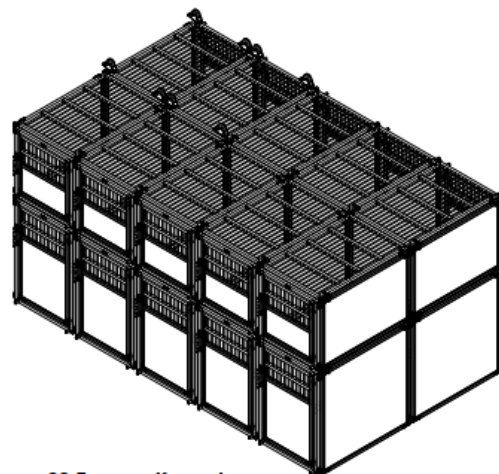


**LARSON SYSTEMS INC.**  
 13847 Aberdeen St. NE PH. 763-780-2131  
 Ham Lake, MN 55304 FAX. 763-780-2182

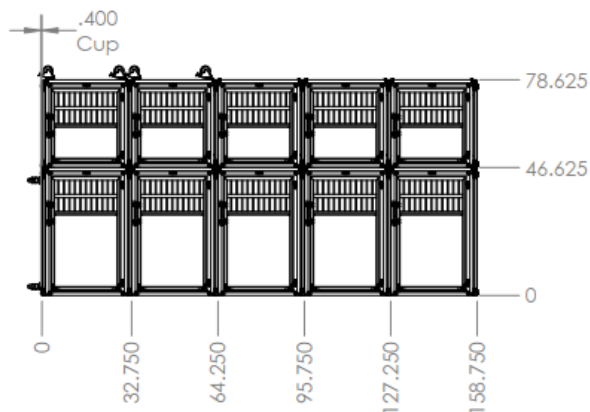
APPROVALS	DATE	Express Kennels	
DRAWN DAL	3/24/13		
APP.		B DWG. NO. 025-0000-1015-XXA	REV:
APP.		SCALE: NONE	



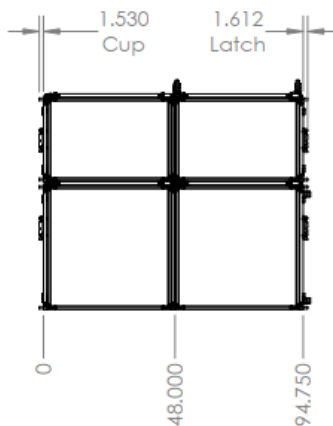
TOP VIEW



20 Express Kennels  
Stacked, Back to Back  
46.63" Tall Kennels on bottom  
31.88" Tall Kennels on top

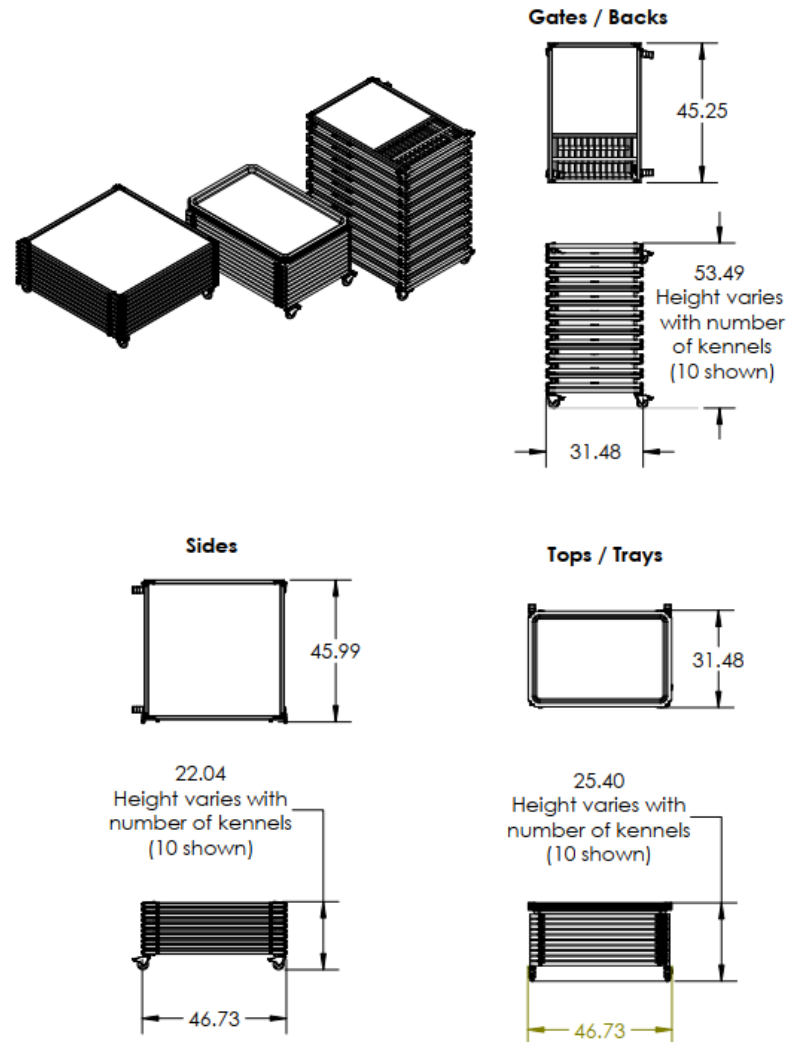


FRONT VIEW



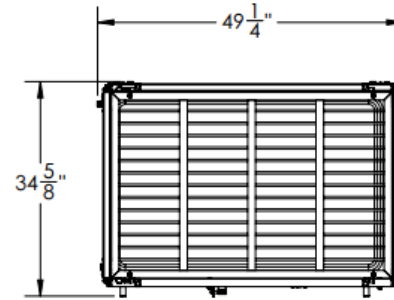
SIDE VIEW

46.63" Tall Storage Footprint

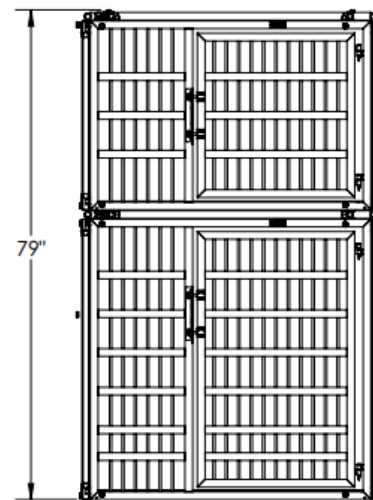


-53

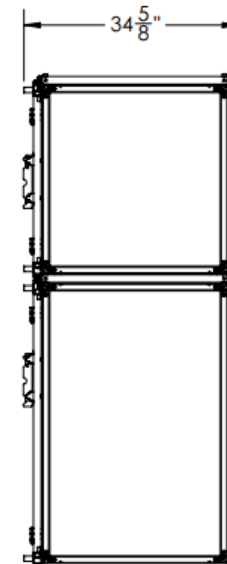
Express Suite, Duplex 32/46 - 45.25" Wide Side



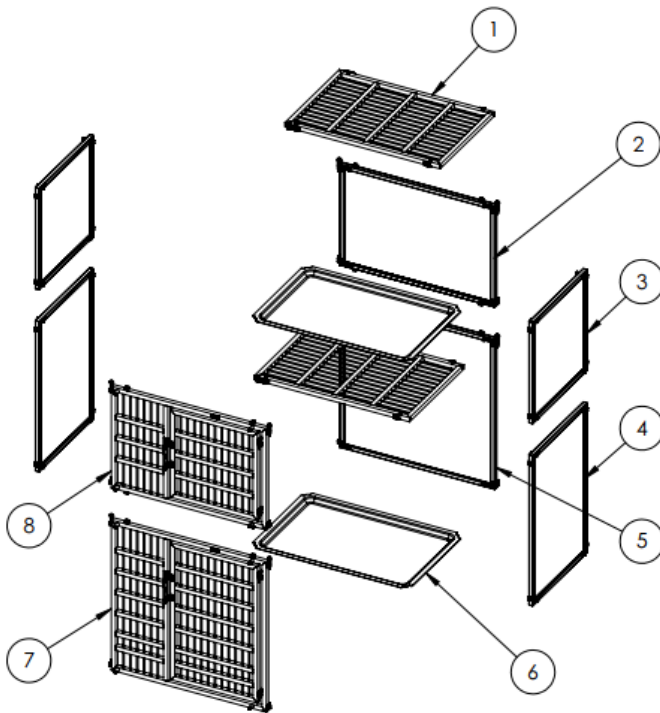
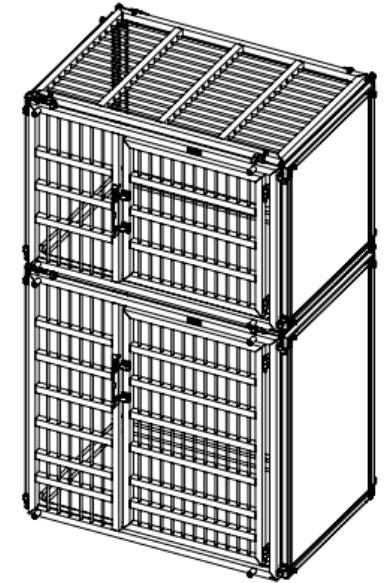
TOP VIEW



FRONT VIEW

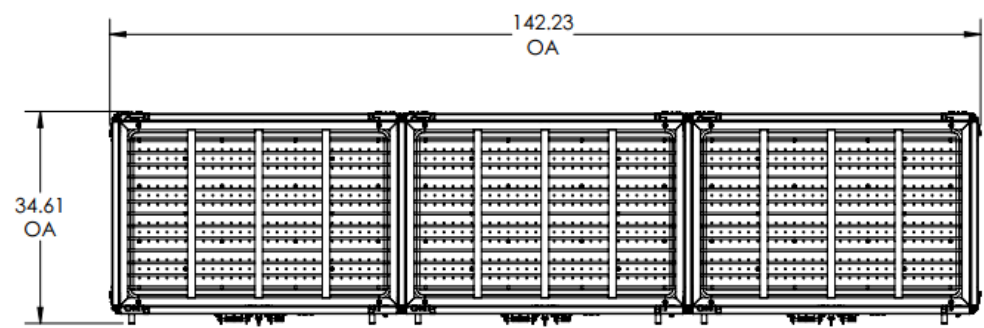


SIDE VIEW

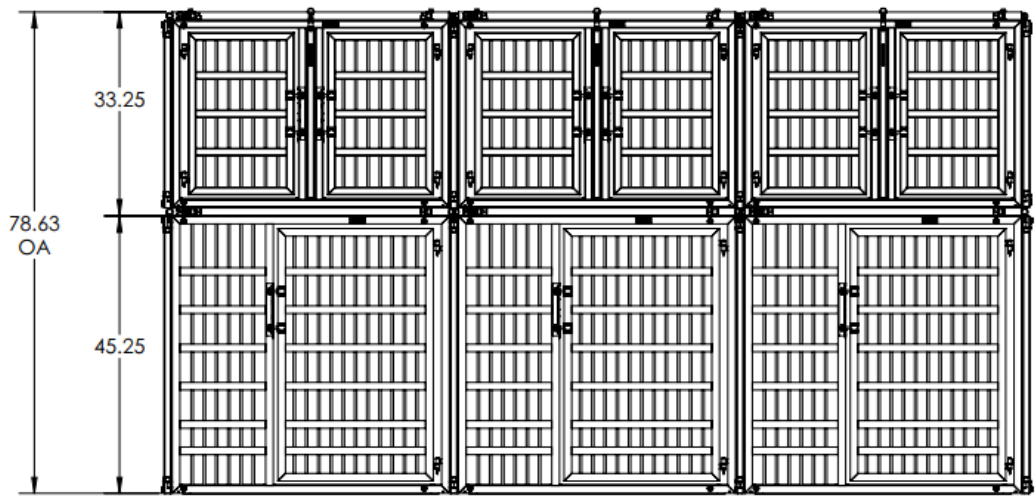


		<b>LARSON SYSTEMS INC.</b> 13847 Aberdeen St. NE PH. 763-780-2131 Ham Lake, MN 55304 FAX. 763-780-2182		
		<i>Express Suites - Duplex 32/46 - 45.25" Wide Side Gates</i>		
APPROVALS	DATE	B	DWG. NO. 025-0000-1015-XX	REV: C
DRAWN LA	4-13-2020			
Checked DAL	4-15-2020	SCALE: NONE		
Weight				

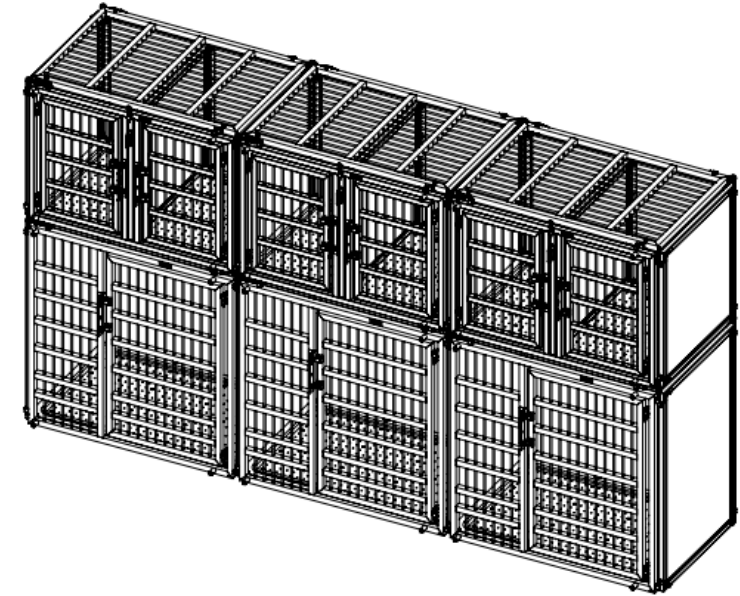
LAYOUT VIEW



TOP VIEW



FRONT VIEW



Note:  
These express kennels are custom built for you and upon approval by you, the express kennels will be built to this specification and is non-cancelable and non-returnable.

Approved by: \_\_\_\_\_

Date: \_\_\_\_\_

Dave Larson  
Digitally signed by Dave Larson  
DN: cn=Dave Larson, o=Larson Systems Inc., ou, email=davelarson@larsonsystems.com, c=US  
Date: 2021.07.28 15:57:42 -05'00'

<b>LS</b>		<b>LARSON SYSTEMS INC.</b>	
13847 Aberdeen St. NE Ham Lake, MN 55304		PH. 763-780-2131 FAX. 763-780-2182	
APPROVALS	DATE		
DRAWN LA	7-27-2021		
Checked DAL	7-30-2021	B	DWG. NO. 025-0000-1148-05
Weight	SCALE: NONE		REV: