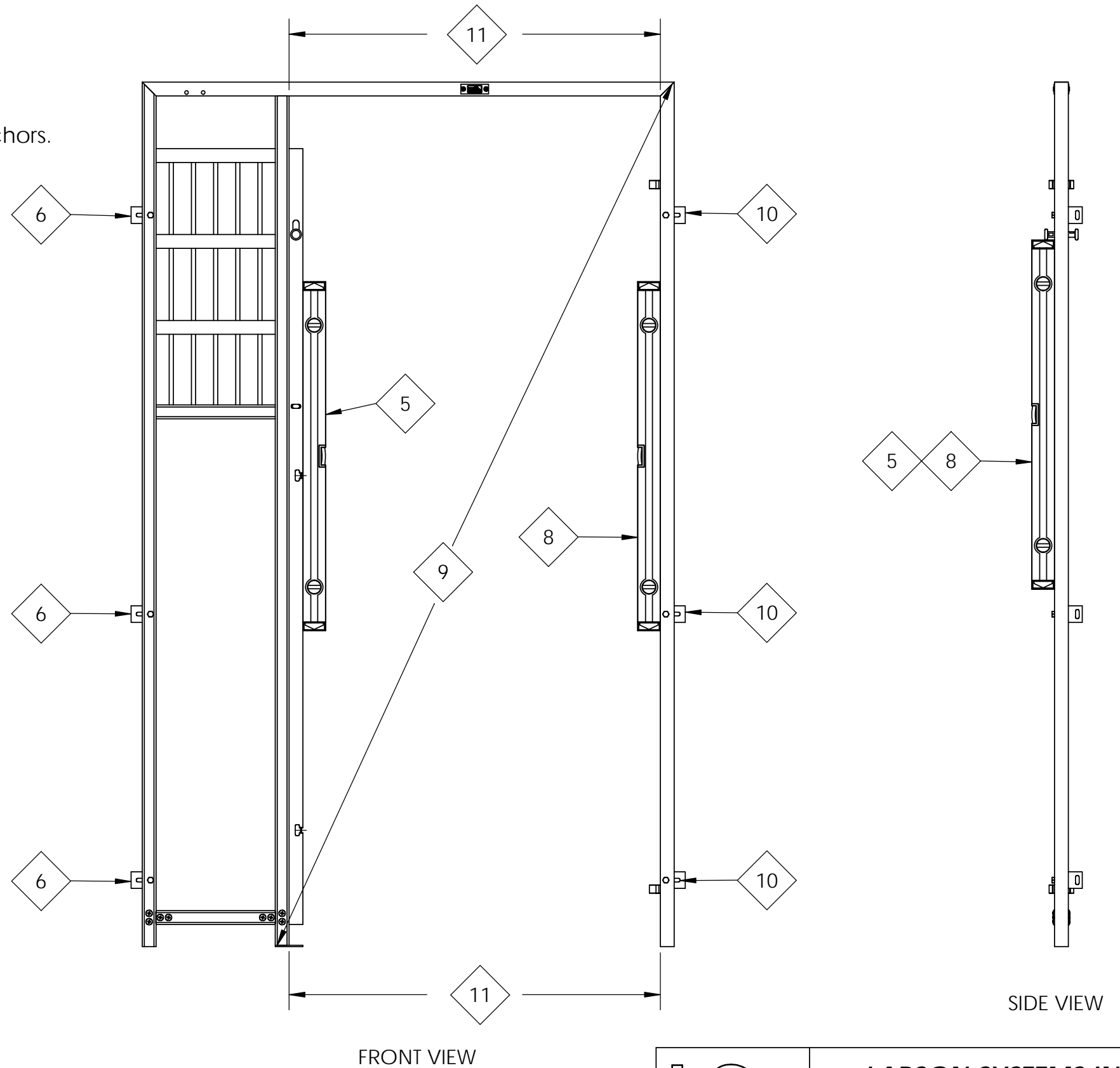
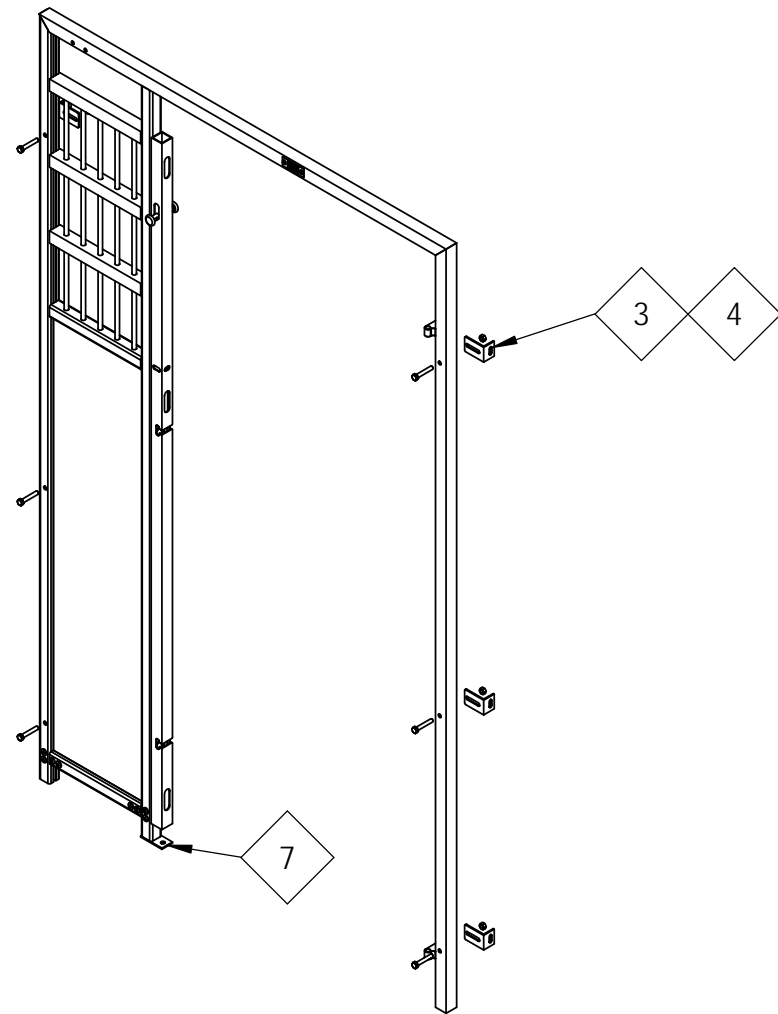


READ INSTRUCTIONS COMPLETELY BEFORE YOU BEGIN INSTALLATION  
 (All diamond callouts correspond with numbered steps.)

1. Locate gate in desired location
2. Remove gate from gate jamb.
3. Install all angle brackets onto gate.
4. Install all angle brackets to wall/post with your choice of wall anchors.
5. Plumb latch side of gate jamb. (See front and side views.)
6. Tighten angle brackets.
7. Install floor anchor through gate foot.
8. Plumb hinge side of gate jamb. (See front and side views.)
9. Square gate by measuring accross gate opening.
10. Tighten hinge side angle brackets onto gate and wall.
11. Check dimensions. (These should be equal.)



		<b>LARSON SYSTEMS INC.</b> 13847 Aberdeen St. NE PH. 763-780-2131 Ham Lake, MN 55304 FAX. 763-780-2182		
		Hidden Latch Installation Instructions		
APPROVALS	DATE	B	DWG. NO. 060-4000-0245-00	REV:
DRAWN RRS	8/4/16			
APP.		SCALE: NONE		SHEET 1 OF 2

READ INSTRUCTIONS COMPLETELY BEFORE YOU BEGIN INSTALLATION  
(All diamond callouts correspond with numbered steps.)

12. Re-Install gate into gate jamb.
13. Align latch with gate pins.
14. Loosen 6x 1/4-20 screws and adjust the latch assembly up or down to provide desired alignment.
15. Check door for smooth operation.
16. Adjust latch assembly or angle brackets if necessary.

