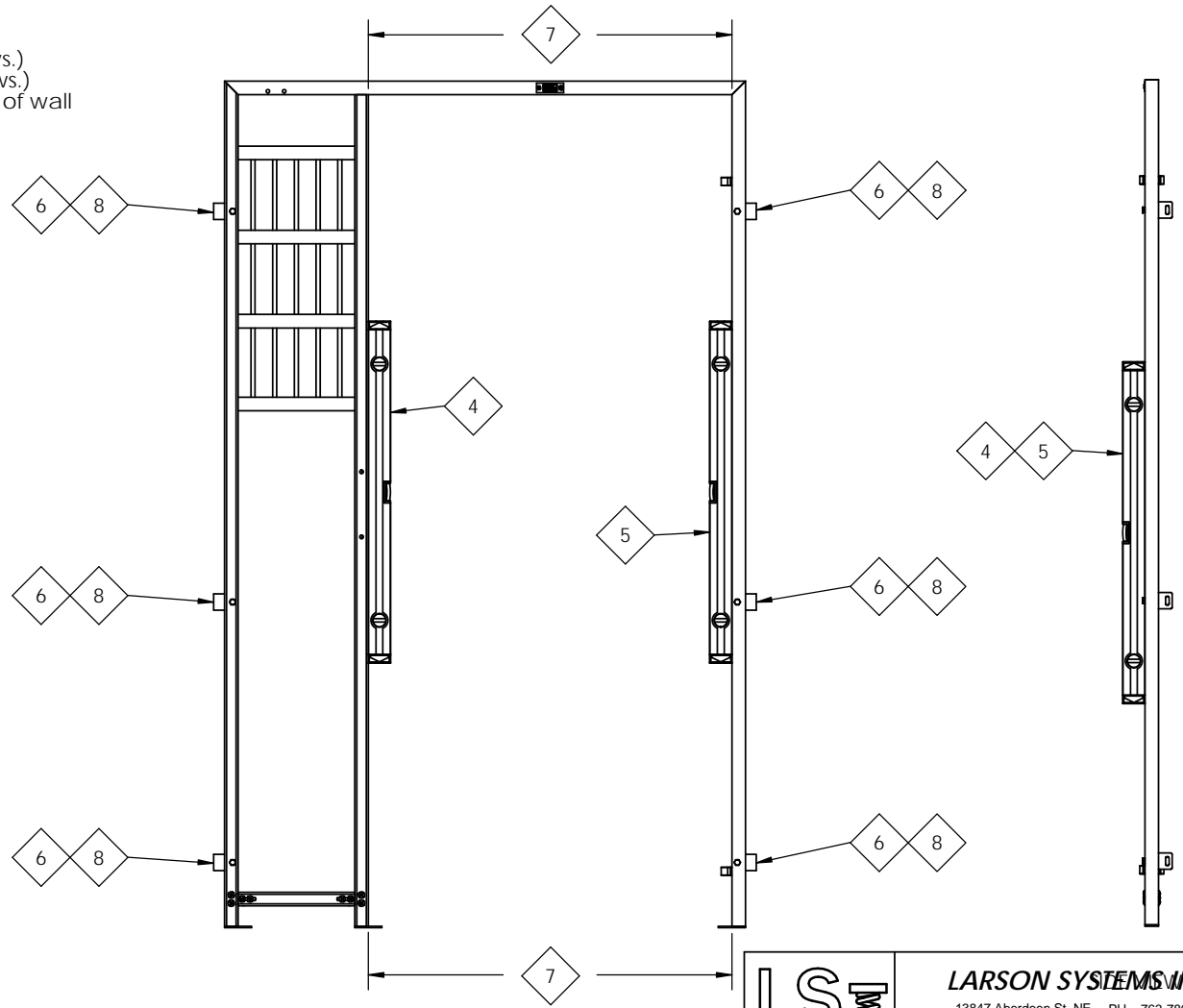
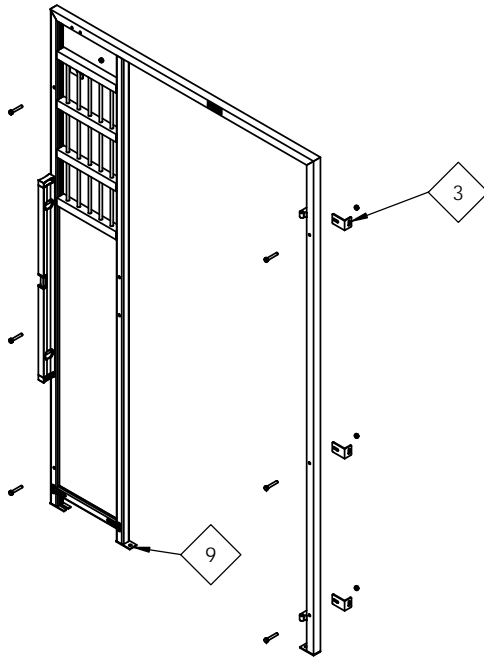


READ INSTRUCTIONS COMPLETELY BEFORE YOU BEGIN INSTALLATION
 (All diamond callouts correspond with numbered steps.)

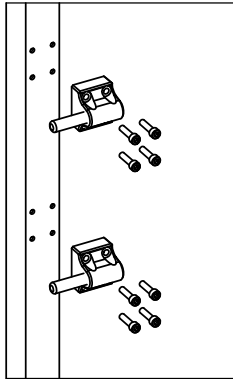
1. Locate gate in desired location
2. Remove gate from gate jamb.
3. Install all angle brackets onto gate.
4. Plumb latch side of gate jamb. (See front and side views.)
5. Plumb hinge side of gate jamb. (See front and side views.)
6. Attach all angle brackets to wall/post with your choice of wall anchors.
7. Check dimensions. (These should be equal.)
8. Tighten angle brackets.
9. Install floor anchor through gate foot.



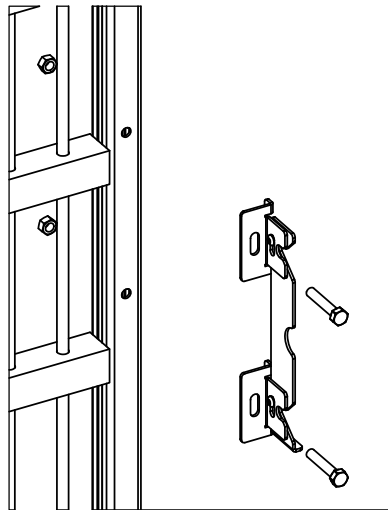
FRONT VIEW

		LARSON SYSTEMS INC. 13847 Aberdeen St. NE PH. 763-780-2131 Ham Lake, MN 55304 FAX. 763-780-2182		
		<i>Non-Threshold, Installation Instructions</i>		
APPROVALS	DATE	B	DWG. NO. 060-4000-0261-00	
DRAWN RRS	5/23/18			REV:
APP.				SCALE: NONE
APP.		SHEET 1 OF 2		

Assemble first



Assemble second



Assemble third
center pins in slots
and tighten bolts

