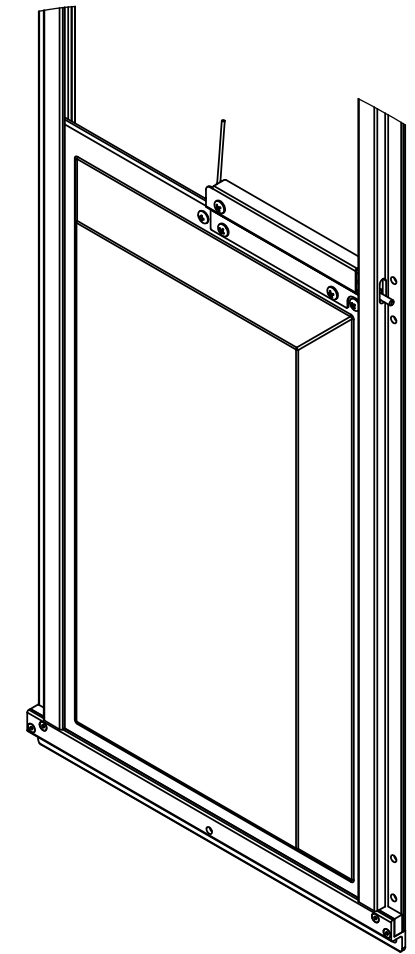
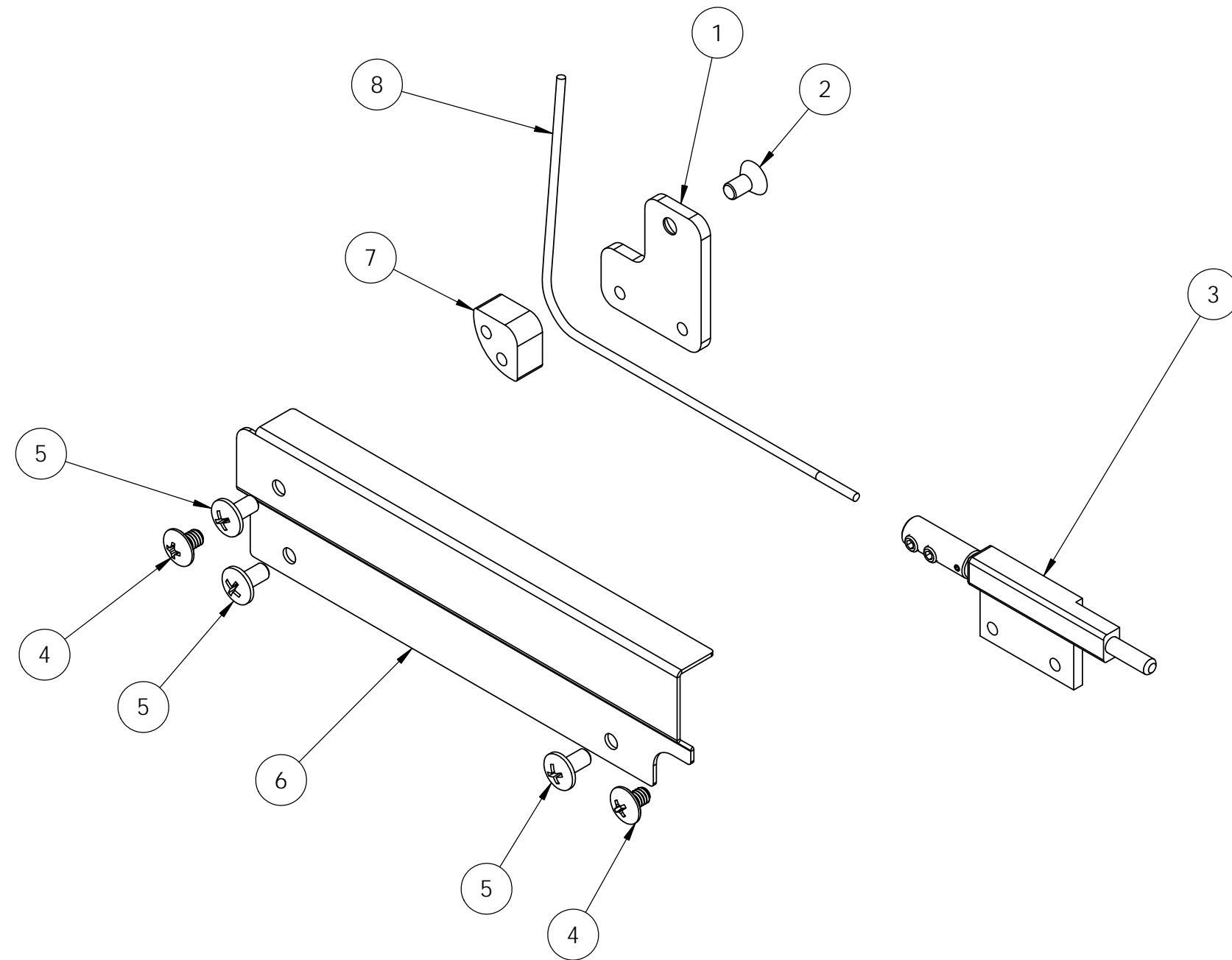


Locking Door Assembly

1. Securely deadbolts the door to prevent unwanted access from the outside
2. Locks the door to prevent dogs from lifting and opening the door
3. Pull the lift handle to unlock and lift the door, no extra levers or handles



LARSON SYSTEMS INC.

13847 Aberdeen St. NE PH. 763-780-2131
Ham Lake, MN 55304 FAX. 763-780-2182

APPROVALS DATE

DRAWN RRS 6/26/19

APP.

APP.

Standard Locking Guillotine Door Assembly

B DWG. NO. 025-0000-0910-07 REV:

SCALE: NONE SHEET 1 OF 2



025-0000-0910-07

Parts List

Standard Locking guillotine door assembly

Rev	By	Date	Description
	RRS	06-26-2019	

Item	Qty	Part Number	Rev	Part Name	PCB Location	Part Length
1	1	018-0000-4388-00		Rear mounting Plate, Cable Guard, Doggie Door		in.
2	1	013-0000-0540-00		1/4-20 x 1/2 FH Machine screw SS Philips drive		in.
3	1	025-0000-0910-08		Latching Assembly - Locking guillotine door assembly		in.
4	2	013-0000-0542-00		1/4-20 x 3/8 Machine Screw SS, Truss Philips Head		in.
5	3	013-0000-0501-00		1/4-20 x 1/2 Machine Screw Stainless Steel, Truss		in.
6	1	018-0000-4385-00		Cable Guard, Standard Doggie Door Latch		in.
7	1	018-0000-4112-00		sliding door cable UHMPW slide		in.
8	ref	013-2000-0328-00		1/8 dia Wire Rope, SS		180 in.
9	-1	018-0000-2725-28	C	Kennel Guillotine Door - Cable Catch		in.
10	-2	013-0000-0523-00		1/4-20 X 1/4 SSS SS (Cone Point)		in.

Approved by: 

Date: July 2, 2019

SEE ATTACHED DRAWING