



## Swivel Bowl Installation Instructions

### Parts included for each installation:

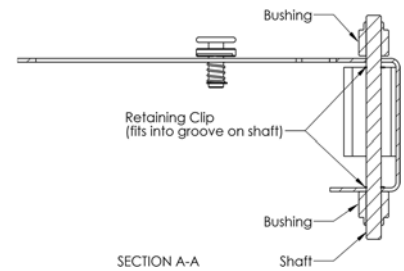
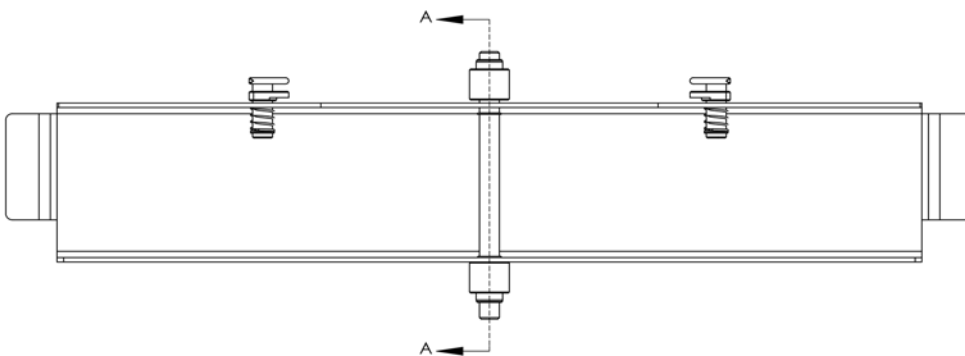
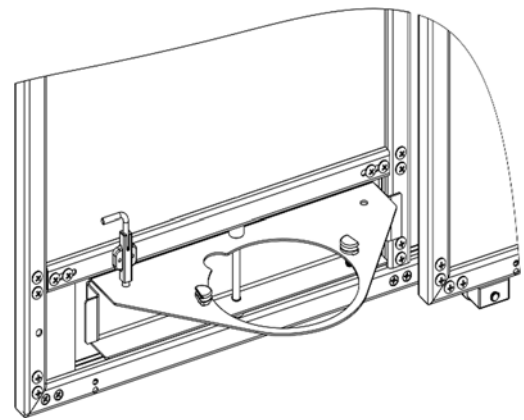
- 2 x bushings
- 2 x retaining rings
- 1 x shaft
- 1 x Swivel Bowl Insert
- 1 x latch
- 2 x 10-24 x 1 1/2" screws
- 90° Retaining Ring Pliers

### Tools you will need:

- Hammer
- Drill
- 3/16" drill bit
- Philips Screwdriver

When fully installed, your bowl feeder will look like this. (With the feeding bowl removed.)

**SWIVEL FEEDER NEEDS TO BE INSTALLED BEFORE GATE IS MOUNTED.**

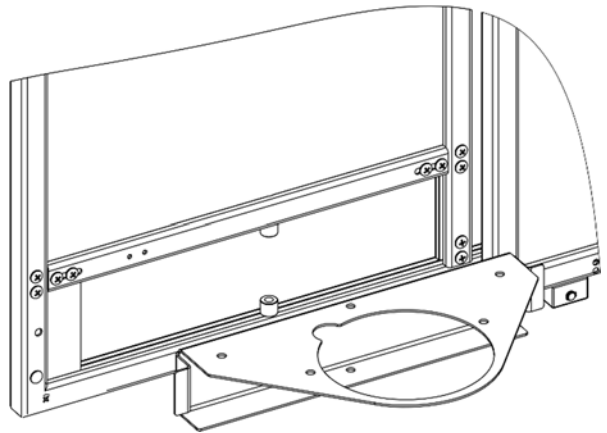
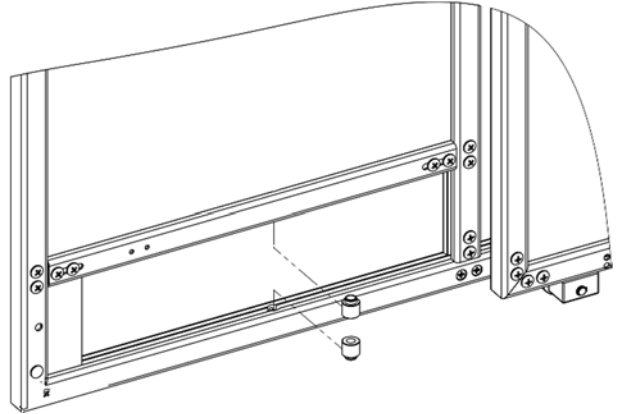




## Swivel Bowl Installation Instructions

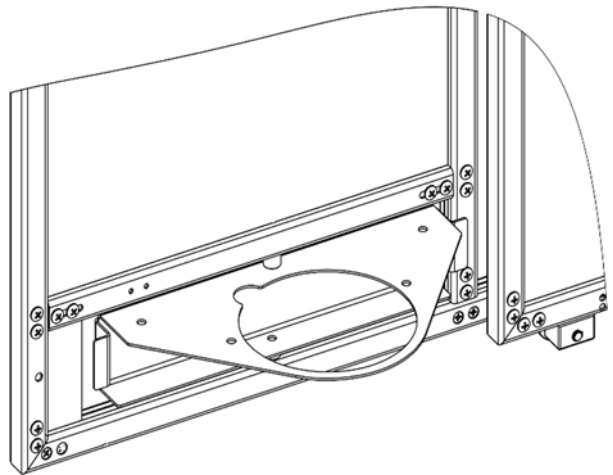
### STEP 1:

Install two bushings into gate.  
These bushings are identical. These should be a snug fit, so you may need to tap them with a hammer to assemble them.



### STEP 2:

Install Swivel Bowl Insert.





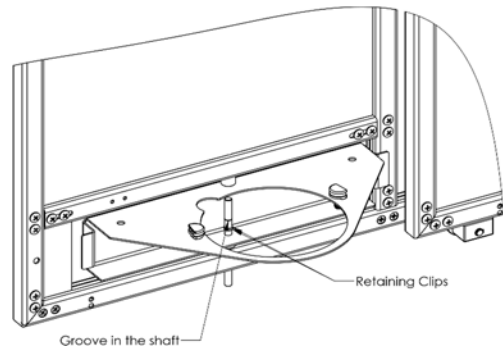
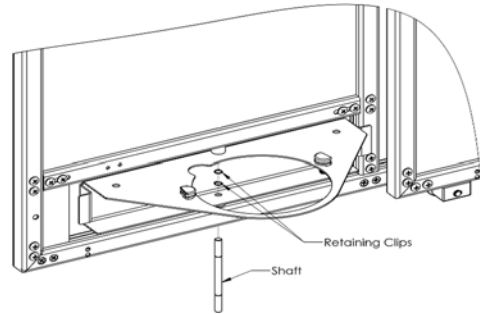
## Swivel Bowl Installation Instructions

### STEP 3:

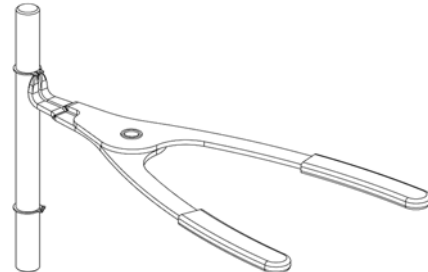
From the bottom of the gate, insert one end of the shaft into the assembly. (The shaft is symmetrical, so it does not matter which end is pointing up.) The shaft will slide up through the bottom bushing.

### STEP 4:

Slide the two retaining clips onto the shaft. Do not install them into the grooves of the shaft at this time. Both retaining clips should be next to each other in the center of the shaft.

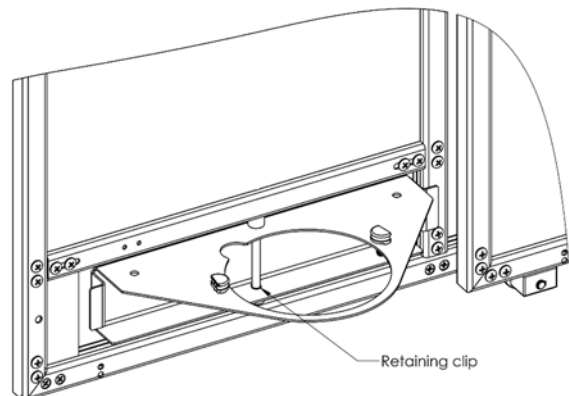


Stone Mountain Pet Products provides a 90° retaining clip pliers to install the retaining clips. Insert the ends of the pliers into the retaining clip holes and spread the clip to slide it onto the shaft. Do not spread the clips too much. If spread too far, they will not retract as needed. One end of the shaft needs to be inserted into the assembly before you install the retaining clips. That is why a 90° pliers is required for assembly.



### STEP 5:

Slide the shaft up through the upper bushing. When the shaft is fully inserted into the assembly, slide the retaining clips into the grooves on the shaft. Make sure the retaining clips are fully seated into the grooves.





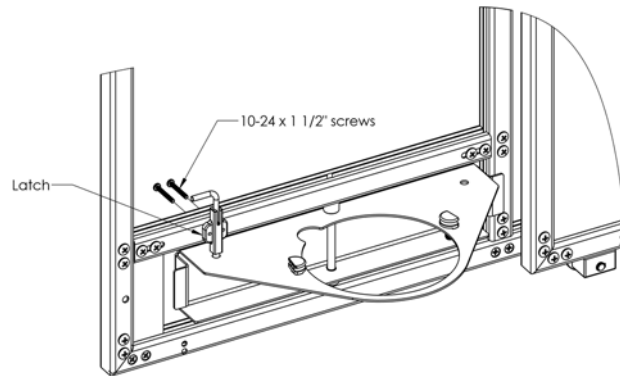
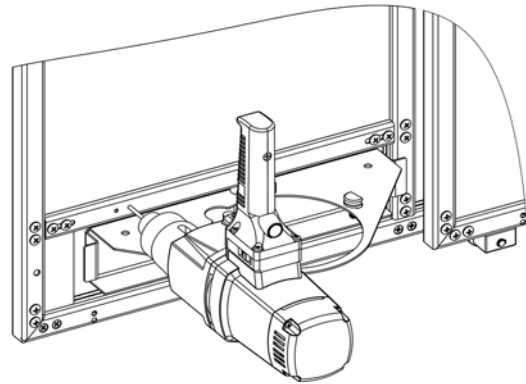
## Swivel Bowl Installation Instructions

**STEP 6:**

If HDPE panels are part of your gate assembly. Use the 3/16" drill bit and drill through the HDPE panel to allow the screws to be inserted.

**STEP 7:**

Using the two provided 10-24 x 1 1/2" screws, install latch.



**STEP 8:**

Insert feeding bowl.

